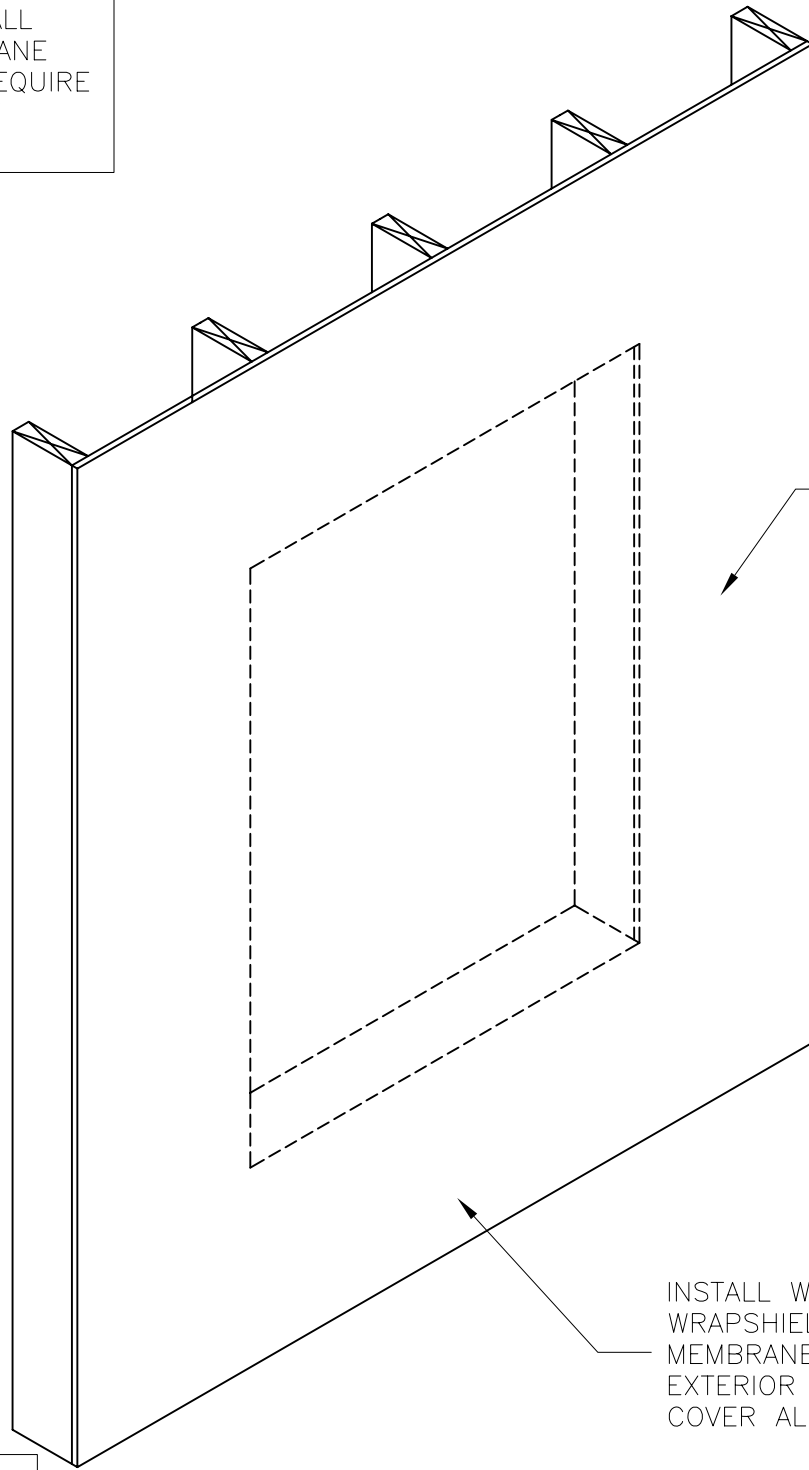


FOR AIR BARRIER WINDOW FLASHING DETAIL ALL JOINTS OF MEMBRANE AND FLASHINGS REQUIRE TO BE SEALED W/ VAPROTAPE



ATTACH W/ STAPLES OR AS REQUIRED FOR VARIOUS BUILDING TYPES

INSTALL WALLSHIELD/ WRAPSHIELD BREATHER MEMBRANE OVER ENTIRE EXTERIOR WALL COVER ALL OPENINGS

NOTE:  
KEEP SHEATHING DRY BEFORE APPLICATION OF BREATHER MEMBRANE

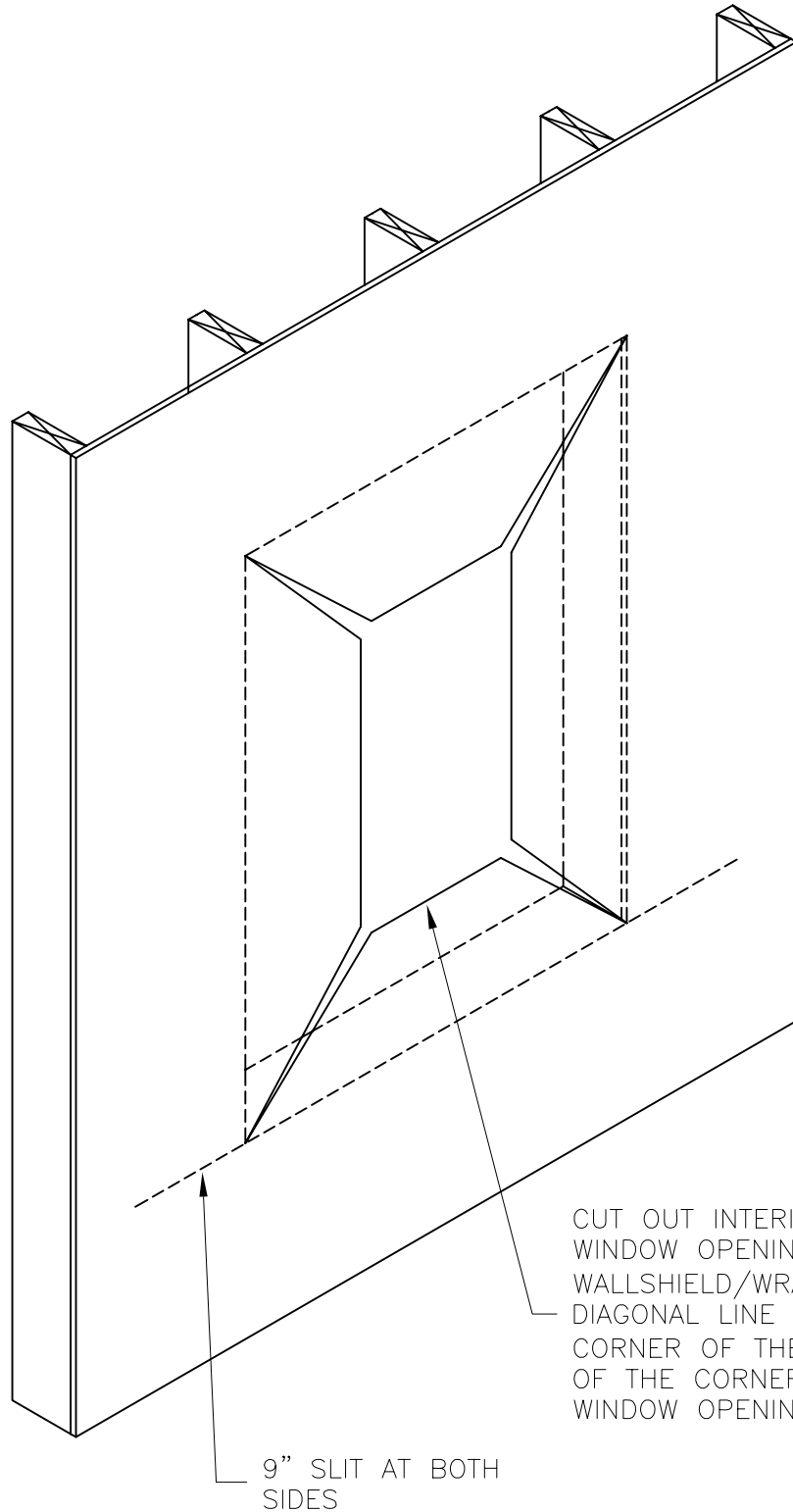


VaproShield LLC  
915 26th Ave N.W., #C5  
Gig Harbor, WA 98335  
Toll Free (1)-866-731-7663  
Fax: 253-858-3297  
Email: info@VaproShield.com  
www.VaproShield.com

ARCH. REFERENCE:	REVISION:
PROJECT:	
TITLE: POST WRAP WINDOW FLASHING STEP 1	
DATE: 07.06.07	Vaproshield-0008
SCALE: N.T.S.	

DRAWN BY: JLR

CHECKED BY:



CUT OUT INTERIOR BOX IN WINDOW OPENING AND CUT WALLSHIELD/WRAPSHIELD IN A DIAGONAL LINE FROM THE CORNER OF THE BOX TO 1/2" OF THE CORNER OF THE WINDOW OPENING

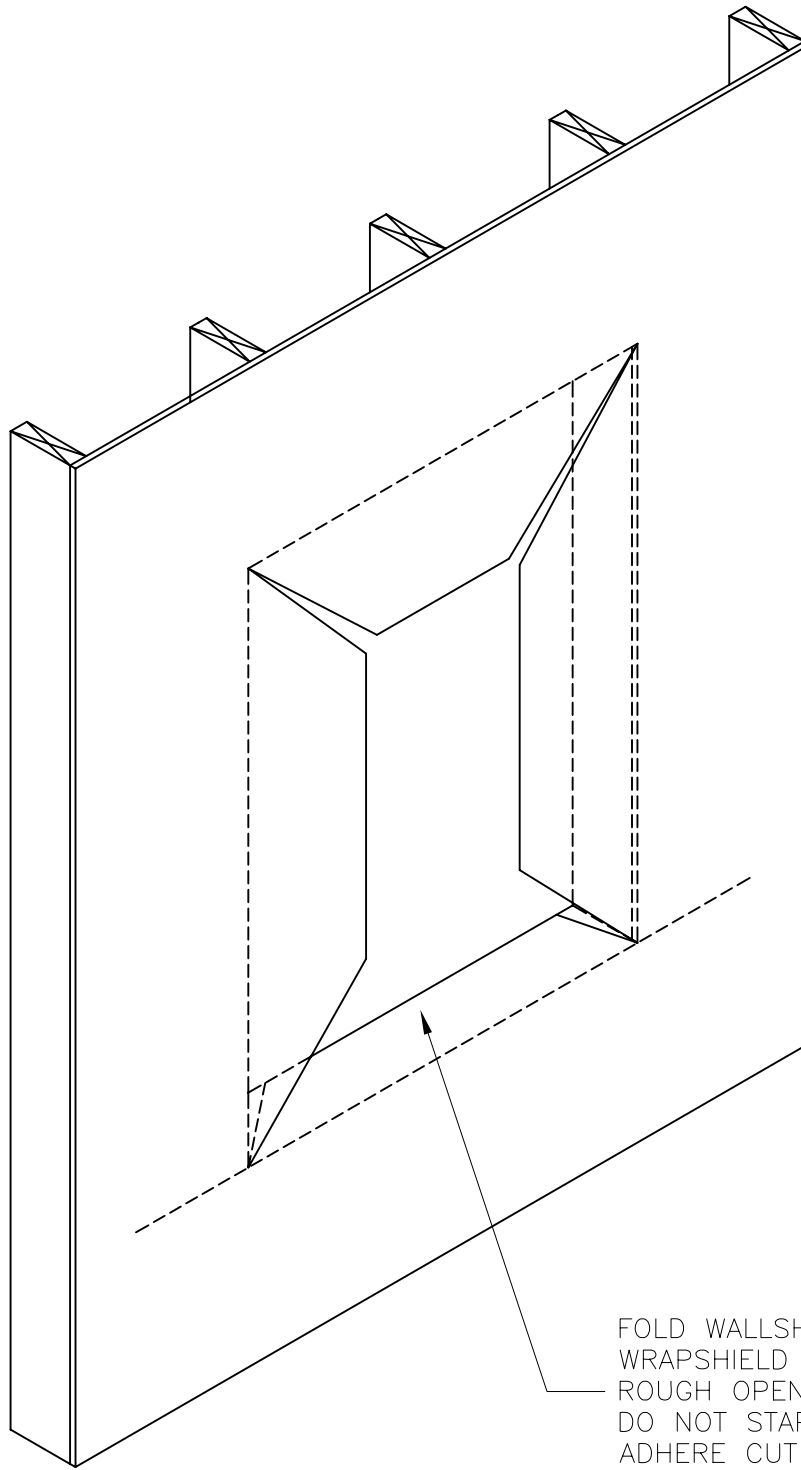
9" SLIT AT BOTH SIDES

VaproShield LLC  
 915 26th Ave N.W., #C5  
 Gig Harbor, WA 98335  
 Toll Free (1)-866-731-7663  
 Fax: 253-858-3297  
 Email: info@VaproShield.com  
 www.VaproShield.com

ARCH. REFERENCE:	REVISION:
PROJECT:	
TITLE: POST WRAP WINDOW FLASHING STEP 2	
DATE: 07.06.07	Vaproshield-0008
SCALE: N.T.S.	

DRAWN BY: JLR

CHECKED BY:



FOLD WALLSHIELD/  
WRAPSHIELD IN TO COVER  
ROUGH OPENING SILL.  
DO NOT STAPLE OR  
ADHERE CUT FLAPS



VaproShield LLC  
915 26th Ave N.W., #C5  
Gig Harbor, WA 98335  
Toll Free (1)-866-731-7663  
Fax: 253-858-3297  
Email: info@VaproShield.com  
www.VaproShield.com

ARCH. REFERENCE:

REVISION:

PROJECT:

TITLE: POST WRAP WINDOW FLASHING STEP 3

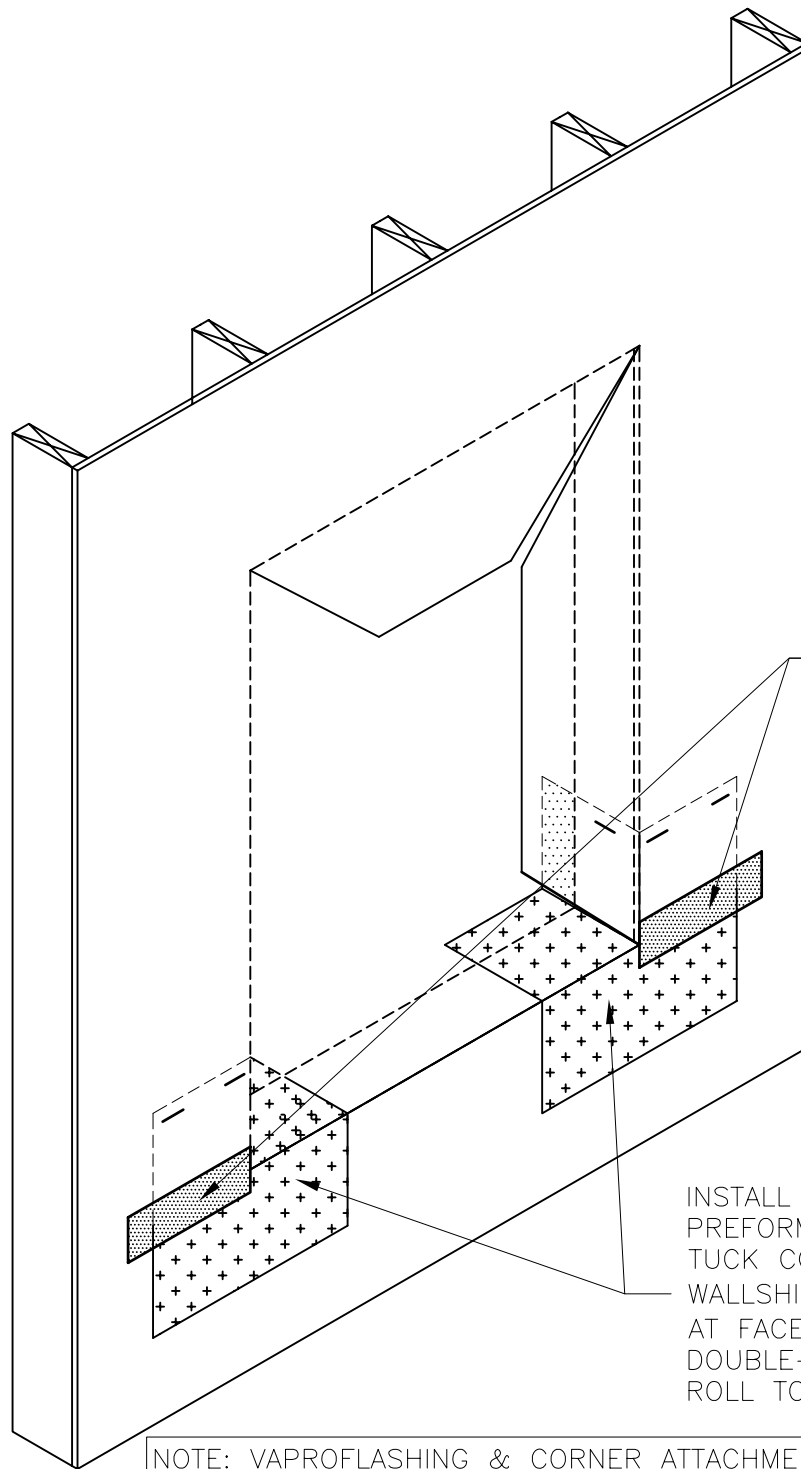
DATE: 07.06.07

Vaproshield-0008

DRAWN BY: JLR

CHECKED BY:

SCALE: N.T.S.



APPLY SINGLE-SIDED VAPROTAPE AT SLIT IN WRAPSHIELD/WALLSHIELD ROLL TO ACTIVATE ADHESIVE

INSTALL VAPROFLASHING PREFORMED CORNERS AT SILL, TUCK CORNERS UNDER WALLSHIELD/WRAPSHIELD, ATTACH AT FACE AND JAMB OR SEAL W/ DOUBLE-SIDED VAPROTAPE ROLL TO ACTIVATE ADHESIVE

NOTE: VAPROFLASHING & CORNER ATTACHMENT OPTIONS  
 1. SPRAY ADHESIVE (STEEL STUDS & GYPSUM)  
 2. SINGLE-SIDED VAPRO TAPE  
 3. DOUBLE-SIDED VAPROTAPE  
 4. STAPLES OR AS REQUIRED BY VARIOUS BLDG TYPES



VaproShield LLC  
 915 26th Ave N.W., #C5  
 Gig Harbor, WA 98335  
 Toll Free (1)-866-731-7663  
 Fax: 253-858-3297  
 Email: info@VaproShield.com  
 www.VaproShield.com

ARCH. REFERENCE:

REVISION:

PROJECT:

TITLE: POST WRAP WINDOW FLASHING STEP 4

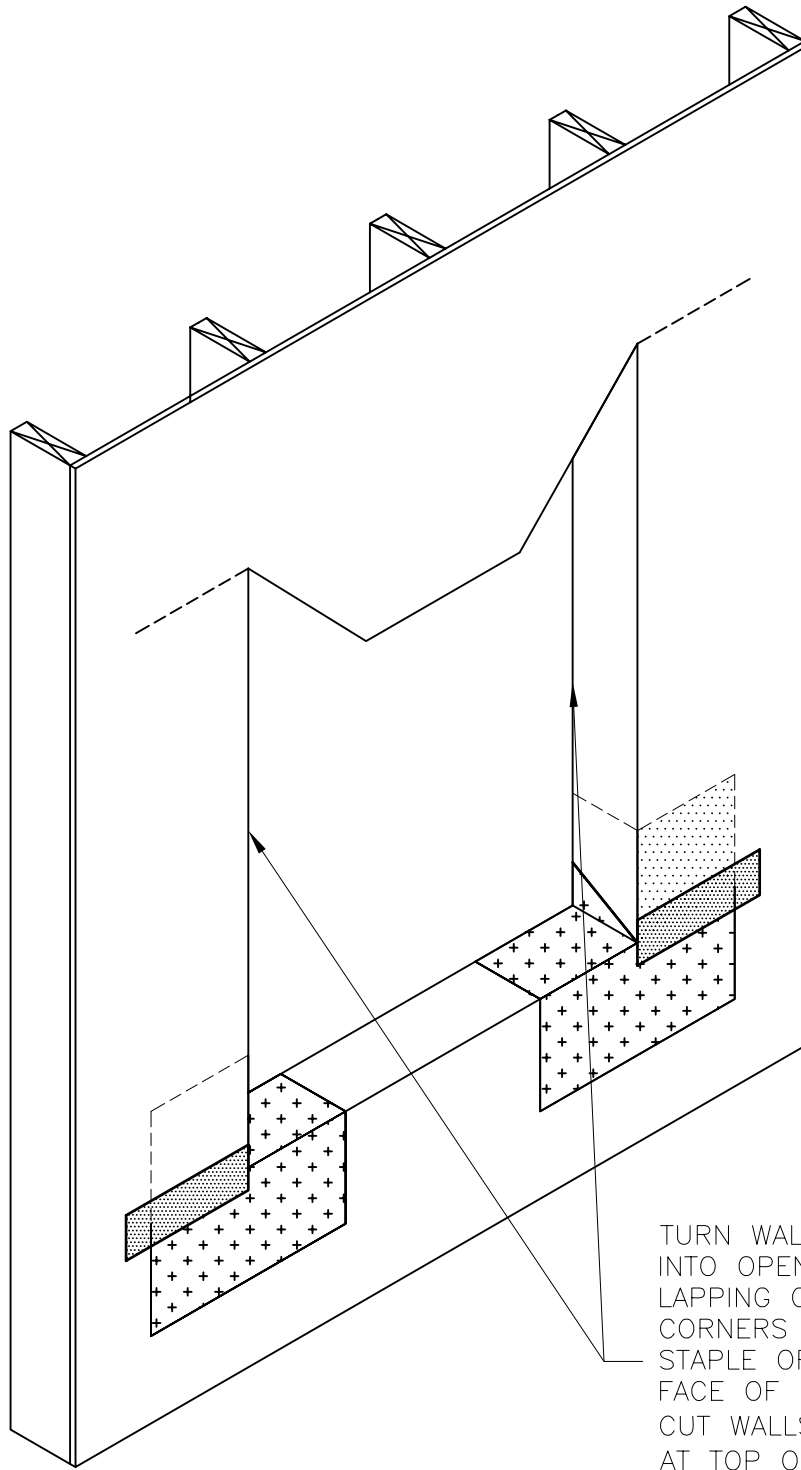
DATE: 07.06.07

Vaproshield-0008

DRAWN BY: JLR

CHECKED BY:

SCALE: N.T.S.



TURN WALLSHIELD/WRAPSHIELD  
 INTO OPENING AT JAMBS  
 LAPPING OVER PRE-FORMED  
 CORNERS AT THE SILL  
 STAPLE OR SEAL TO INTERIOR  
 FACE OF FRAMING  
 CUT WALLSHIELD/WRAPSHIELD  
 AT TOP OF R.O. 9"  
 HORIZONTALLY AT EACH SIDE



VaproShield LLC  
 915 26th Ave N.W., #C5  
 Gig Harbor, WA 98335  
 Toll Free (1)-866-731-7663  
 Fax: 253-858-3297  
 Email: info@VaproShield.com  
 www.VaproShield.com

ARCH. REFERENCE:

REVISION:

PROJECT:

TITLE: POST WRAP WINDOW FLASHING STEP 5

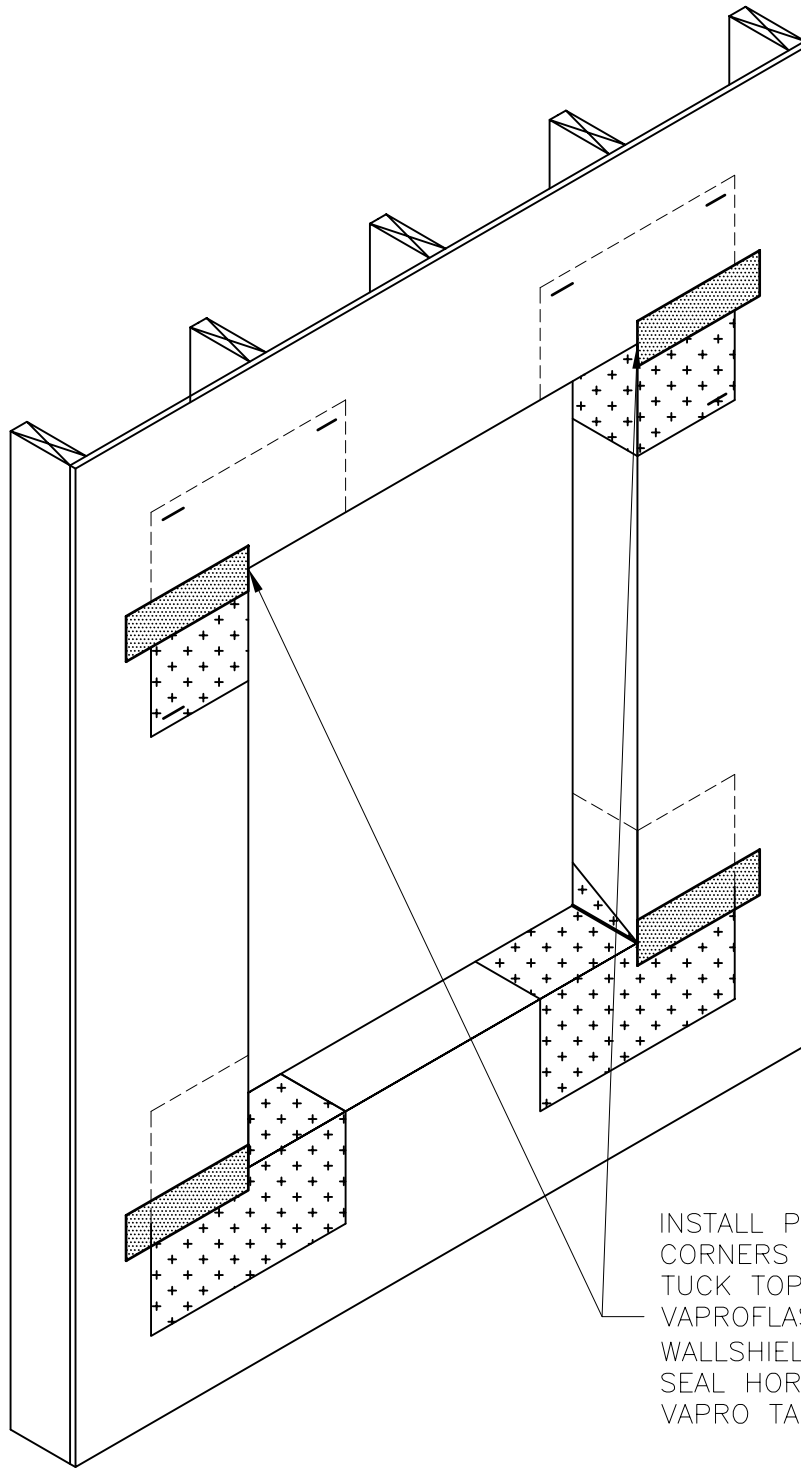
DATE: 07.06.07

Vaproshield-0008

DRAWN BY: JLR

CHECKED BY:

SCALE: N.T.S.



INSTALL PRE-FORMED '3D'  
 CORNERS AT R.O. HEAD  
 TUCK TOP PORTION OF  
 VAPROFLASHING UNDER  
 WALLSHIELD/WRAPSHIELD AND  
 SEAL HORIZONTAL CUT WITH  
 VAPRO TAPE SINGLE-SIDED



VaproShield LLC  
 915 26th Ave N.W., #C5  
 Gig Harbor, WA 98335  
 Toll Free (1)-866-731-7663  
 Fax: 253-858-3297  
 Email: info@VaproShield.com  
 www.VaproShield.com

ARCH. REFERENCE:

REVISION:

PROJECT:

TITLE: POST WRAP WINDOW FLASHING STEP 6

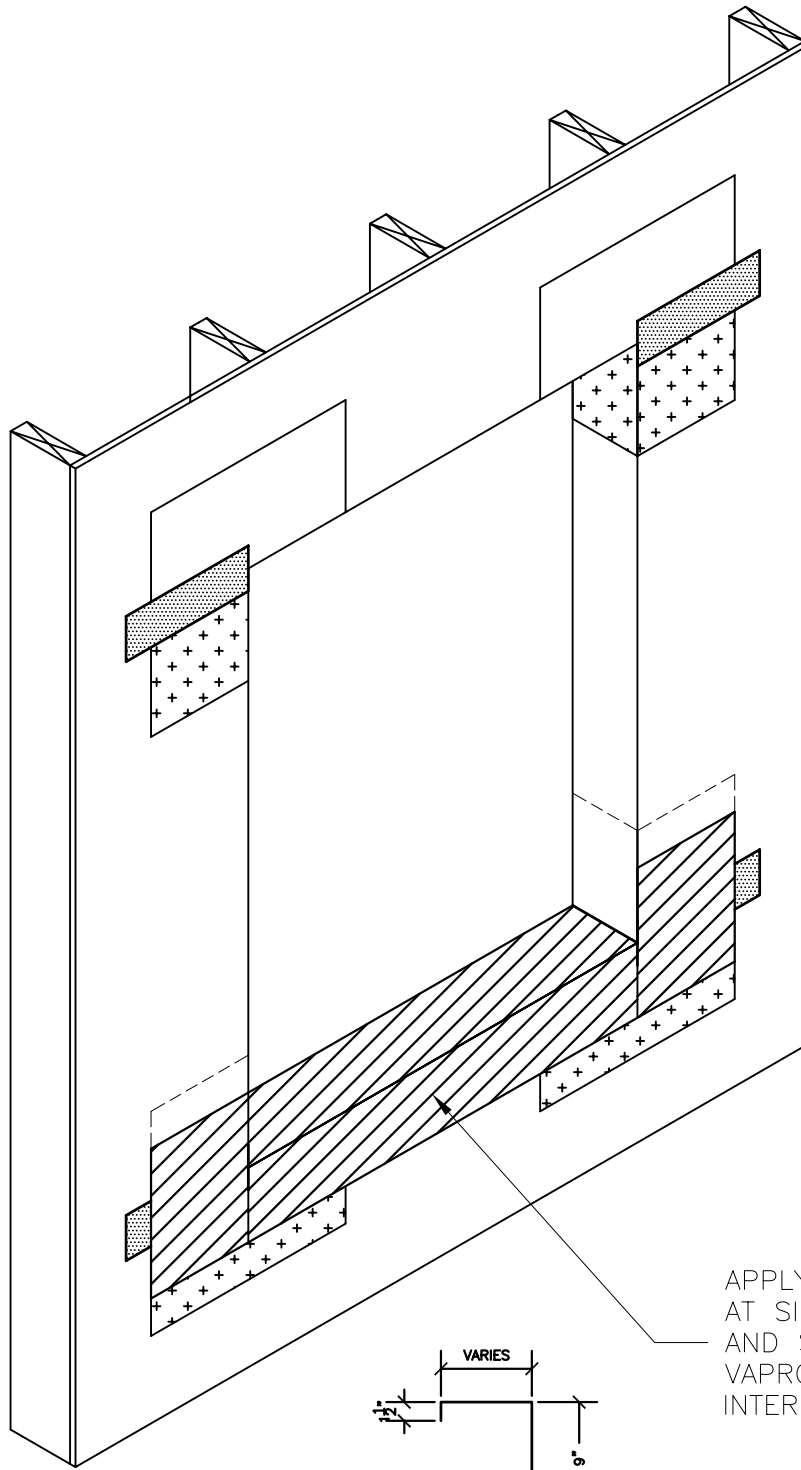
DATE: 07.06.07

Vaproshield-0008

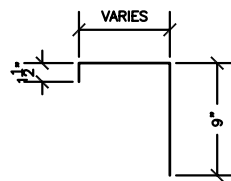
DRAWN BY: JLR

CHECKED BY:

SCALE: N.T.S.



APPLY VAPROFLASH SILL STRIP AT SILL, TURN INTO OPENING AND STAPLE OR ADHERE WITH VAPROTAPE DOUBLE-SIDED AT INTERIOR FRAMING



SHOW THIS SECTION OF MEMBRANE

NON WINDC



VaproShield LLC  
 915 26th Ave N.W., #C5  
 Gig Harbor, WA 98335  
 Toll Free (1)-866-731-7663  
 Fax: 253-858-3297  
 Email: info@VaproShield.com  
 www.VaproShield.com

ARCH. REFERENCE:

REVISION:

PROJECT:

TITLE: POST WRAP WINDOW FLASHING STEP 7

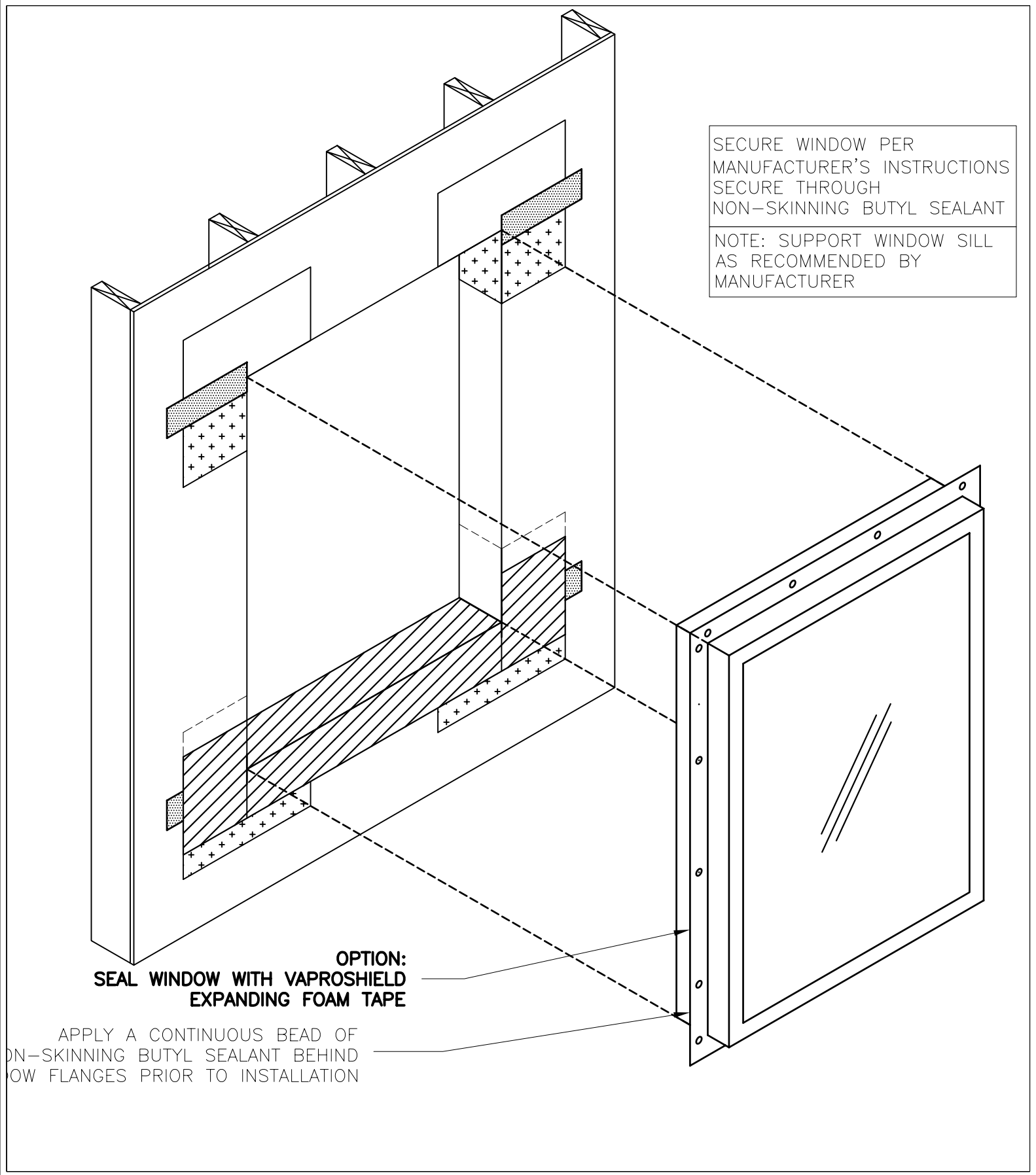
DATE: 07.06.07

Vaproshield-0008

DRAWN BY: JLR

CHECKED BY:

SCALE: N.T.S.



SECURE WINDOW PER  
 MANUFACTURER'S INSTRUCTIONS  
 SECURE THROUGH  
 NON-SKINNING BUTYL SEALANT

NOTE: SUPPORT WINDOW SILL  
 AS RECOMMENDED BY  
 MANUFACTURER

**OPTION:  
 SEAL WINDOW WITH VAPROSHIELD  
 EXPANDING FOAM TAPE**

APPLY A CONTINUOUS BEAD OF  
 NON-SKINNING BUTYL SEALANT BEHIND  
 WINDOW FLANGES PRIOR TO INSTALLATION

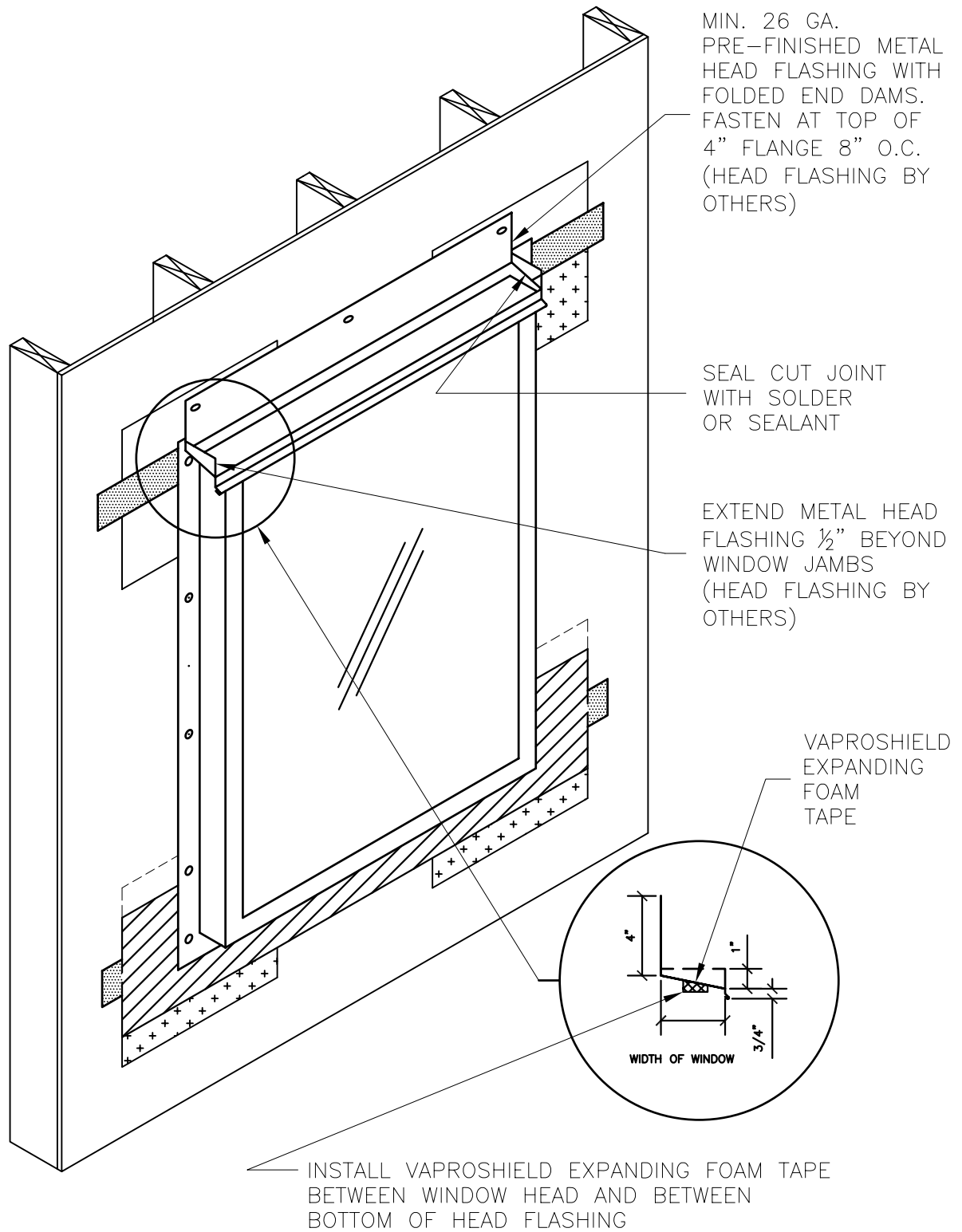


VaproShield LLC  
 915 26th Ave N.W., #C5  
 Gig Harbor, WA 98335  
 Toll Free (1)-866-731-7663  
 Fax: 253-858-3297  
 Email: info@VaproShield.com  
 www.VaproShield.com

ARCH. REFERENCE:	REVISION:
PROJECT:	
TITLE: POST WRAP WINDOW FLASHING STEP 8	
DATE: 07.06.07	Vaproshield-0008
SCALE: N.T.S.	

DRAWN BY: JLR

CHECKED BY:



(METAL HEAD FLASHING BY OTHERS)



VaproShield LLC  
 915 26th Ave N.W., #C5  
 Gig Harbor, WA 98335  
 Toll Free (1)-866-731-7663  
 Fax: 253-858-3297  
 Email: info@VaproShield.com  
 www.VaproShield.com

ARCH. REFERENCE:

REVISION:

PROJECT:

TITLE: POST WRAP WINDOW FLASHING STEP 9

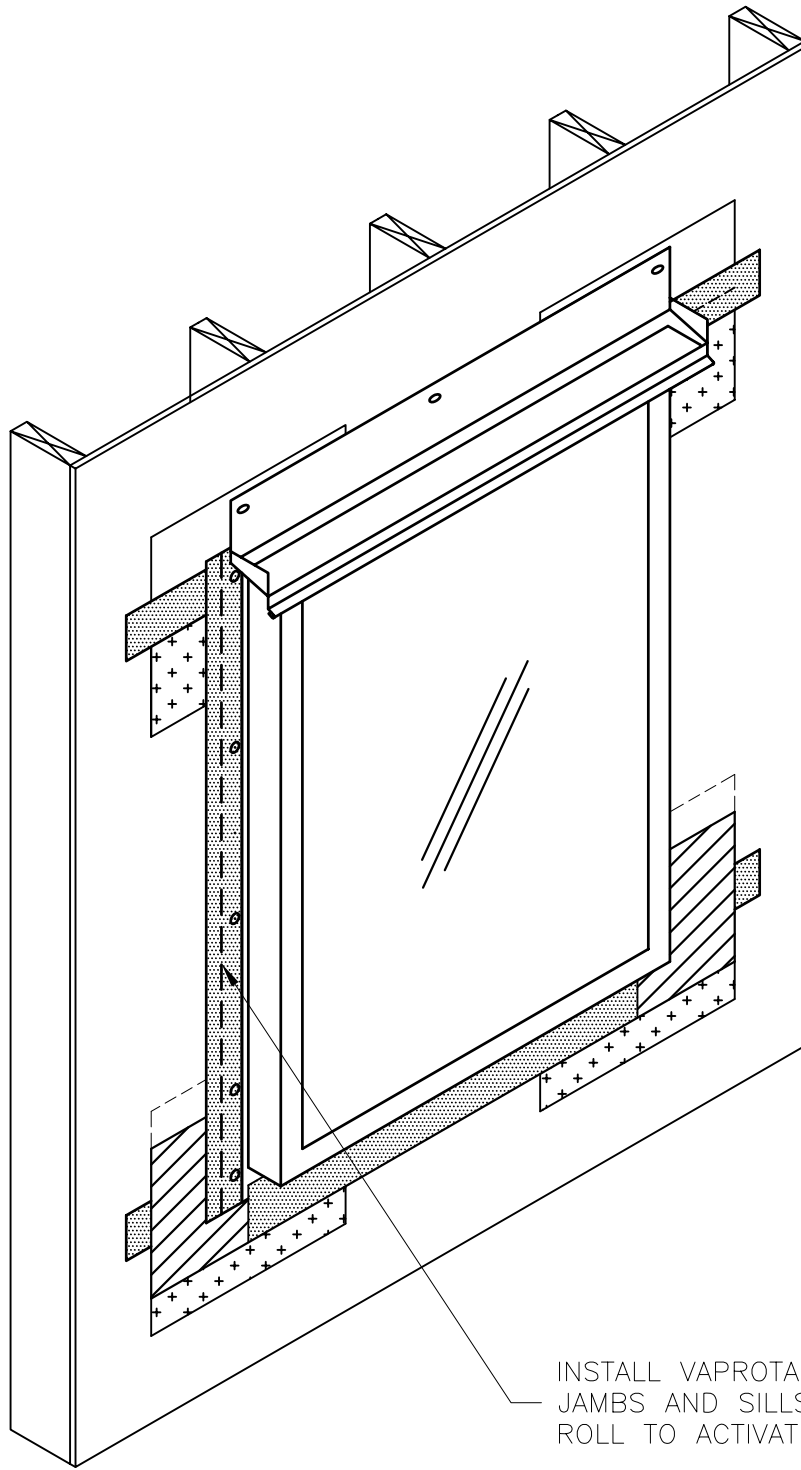
DATE: 07.06.07

Vaproshield-0008

DRAWN BY: JLR

CHECKED BY:

SCALE: N.T.S.



INSTALL VAPROTAPE SINGLE-SIDED AT  
 JAMBS AND SILLS  
 ROLL TO ACTIVATE ADHESIVE



VaproShield LLC  
 915 26th Ave N.W., #C5  
 Gig Harbor, WA 98335  
 Toll Free (1)-866-731-7663  
 Fax: 253-858-3297  
 Email: info@VaproShield.com  
 www.VaproShield.com

ARCH. REFERENCE:

REVISION:

PROJECT:

TITLE: POST WRAP WINDOW FLASHING STEP 10

DATE: 07.06.07

Vaproshield-0008

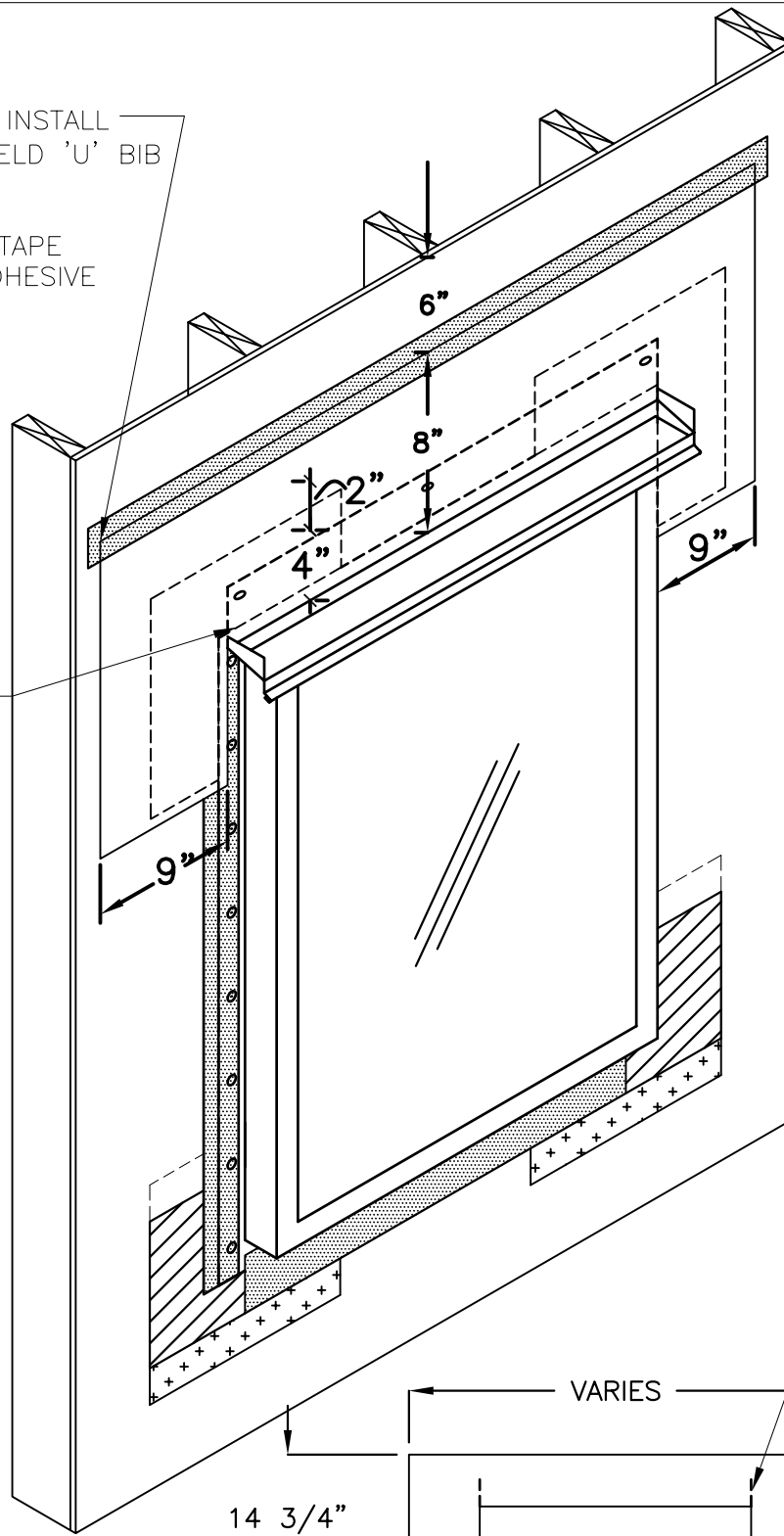
DRAWN BY: JLR

CHECKED BY:

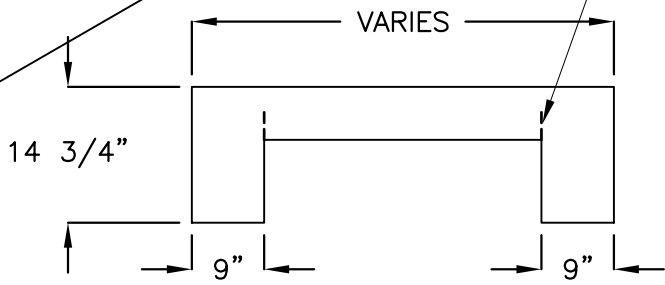
SCALE: N.T.S.

SLIT MEMBRANE AND INSTALL WALLSHIELD/WRAPSHIELD 'U' BIB INTO SLIT  
 SEAL OPENING WITH SINGLE-SIDED VAPROTAPE  
 ROLL TO ACTIVATE ADHESIVE

SEAL BIB FLASHING TO VERTICAL LEG OF HEAD FLASHING WITH DOUBLE-SIDED VAPROTAPE



SLIT TO ACCOMMODATE END DAMS



VaproShield LLC  
 915 26th Ave N.W., #C5  
 Gig Harbor, WA 98335  
 Toll Free (1)-866-731-7663  
 Fax: 253-858-3297  
 Email: info@VaproShield.com  
 www.VaproShield.com

ARCH. REFERENCE:  REVISION:

PROJECT:

TITLE: POST WRAP WINDOW FLASHING STEP 11

DATE: 07.06.07

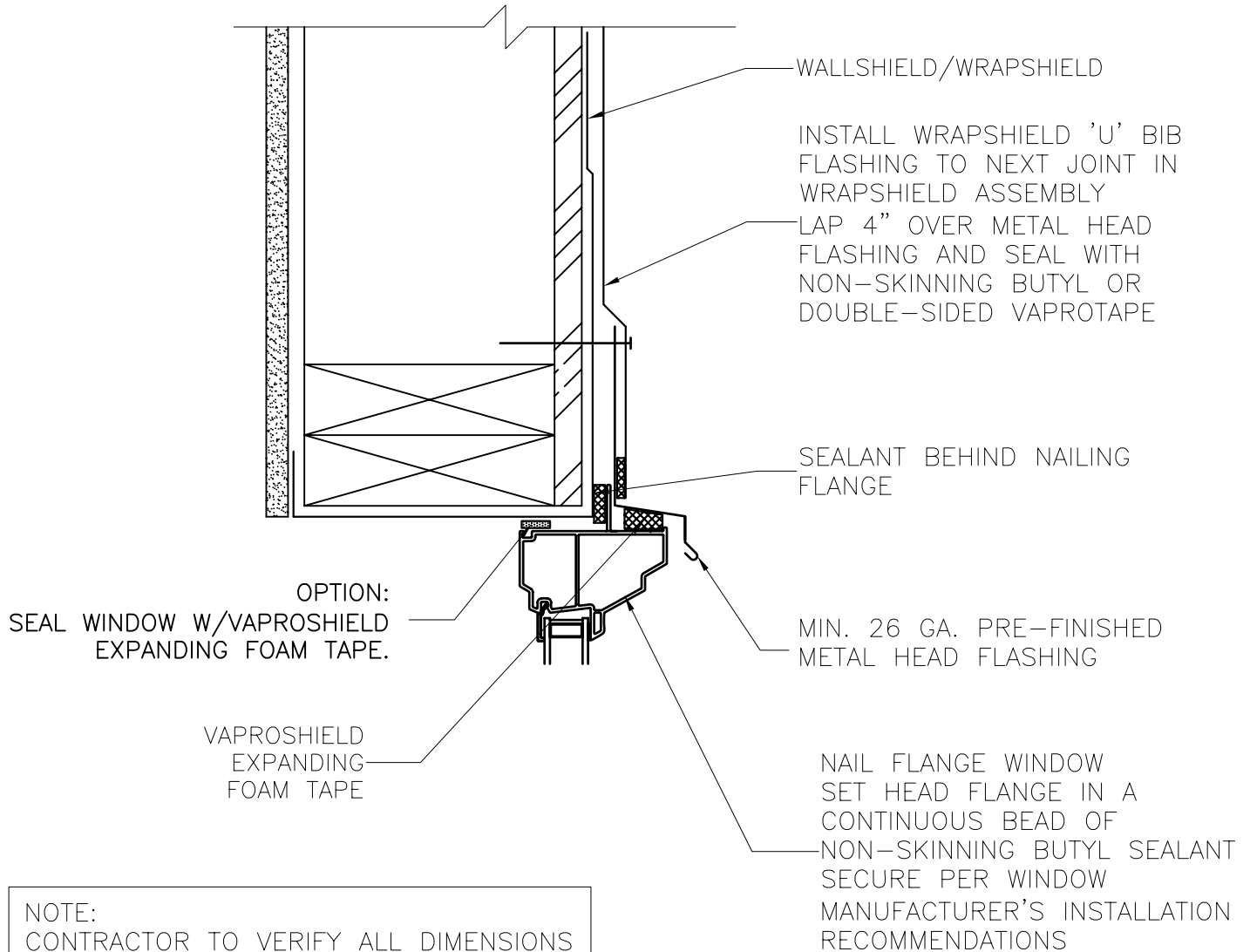
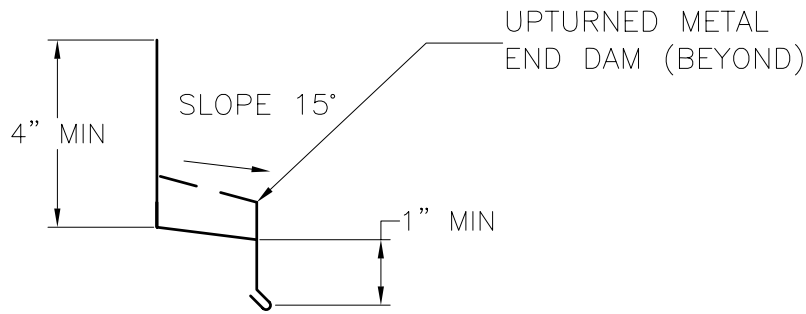
Vaproshield-0008

DRAWN BY: JLR

CHECKED BY:

SCALE: N.T.S.

(METAL HEAD FLASHING BY OTHERS)



NOTE:  
 CONTRACTOR TO VERIFY ALL DIMENSIONS  
 IN THE FIELD.  
 MEMBRANE AND FLASHING COMPONENTS  
 ARE NOT SHOWN TO SCALE FOR CLARITY.



VaproShield LLC  
 915 26th Ave N.W. #C5  
 Gig Harbor, WA 98335  
 Toll Free (1)-866-731-7663  
 Fax: 253-858-3297  
 Email: info@VaproShield.com  
 www.VaproShield.com

ARCH. REFERENCE: \_\_\_\_\_ REVISION: \_\_\_\_\_

PROJECT: \_\_\_\_\_

TITLE: POST WRAP WINDOW FLASHING HEAD

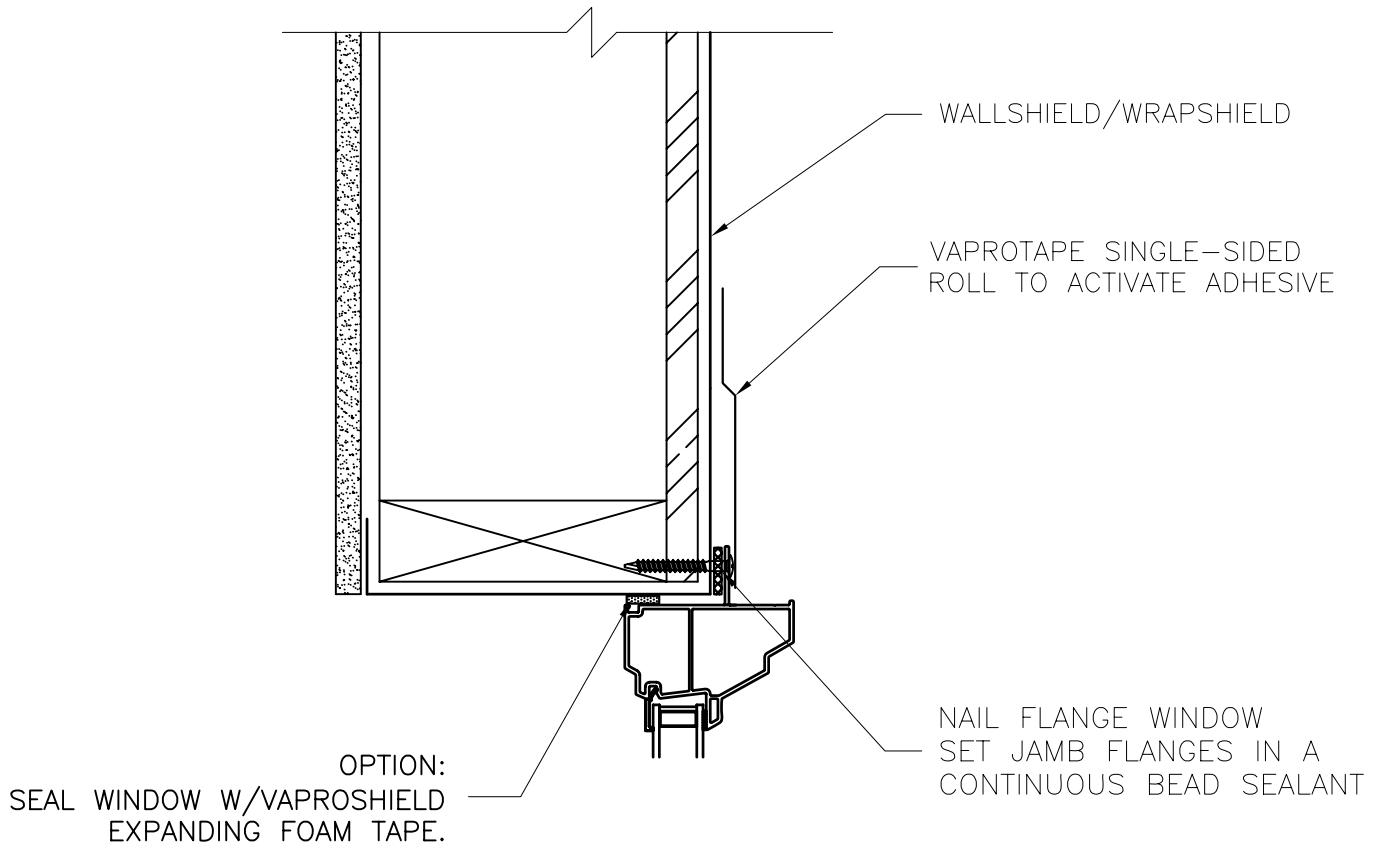
DATE: 07.06.07

Vaproshield-0008

DRAWN BY: JLR

CHECKED BY: \_\_\_\_\_

SCALE: N.T.S.



NOTE:  
CONTRACTOR TO VERIFY ALL DIMENSIONS  
IN THE FIELD.  
MEMBRANE AND FLASHING COMPONENTS  
ARE NOT SHOWN TO SCALE FOR CLARITY.



VaproShield LLC  
915 26th Ave N.W., #C5  
Gig Harbor, WA 98335  
Toll Free (1)-866-731-7663  
Fax: 253-858-3297  
Email: info@VaproShield.com  
www.VaproShield.com

ARCH. REFERENCE:

REVISION:

PROJECT:

TITLE: POST WRAP WINDOW FLASHING JAMB

DATE: 07.06.07

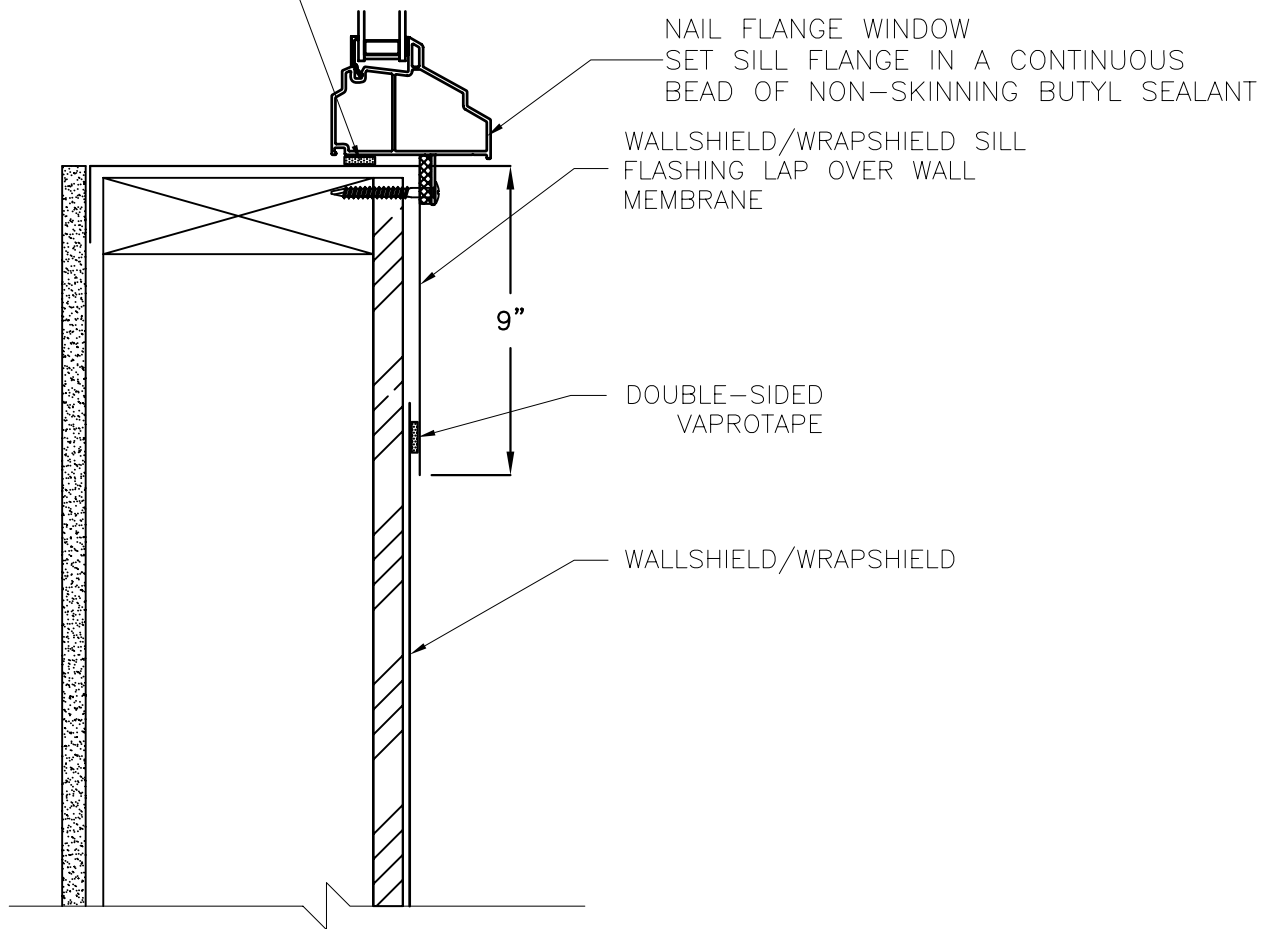
Vaproshield-0008

DRAWN BY: JLR

CHECKED BY:

SCALE: N.T.S.

OPTION:  
SEAL WINDOW W/VAPROSHIELD  
EXPANDING FOAM TAPE.



NOTE:  
CONTRACTOR TO VERIFY ALL DIMENSIONS  
IN THE FIELD. MEMBRANE AND FLASHING  
COMPONENTS ARE NOT SHOWN TO SCALE  
FOR CLARITY.



VaproShield LLC  
915 26th Ave N.W., #C5  
Gig Harbor, WA 98335  
Toll Free (1)-866-731-7663  
Fax: 253-858-3297  
Email: info@VaproShield.com  
www.VaproShield.com

ARCH. REFERENCE:

REVISION:

PROJECT:

TITLE: POST WRAP WINDOW FLASHING SILL

DATE: 07.06.07

Vaproshield-0008

DRAWN BY: JLR

CHECKED BY:

SCALE: N.T.S.