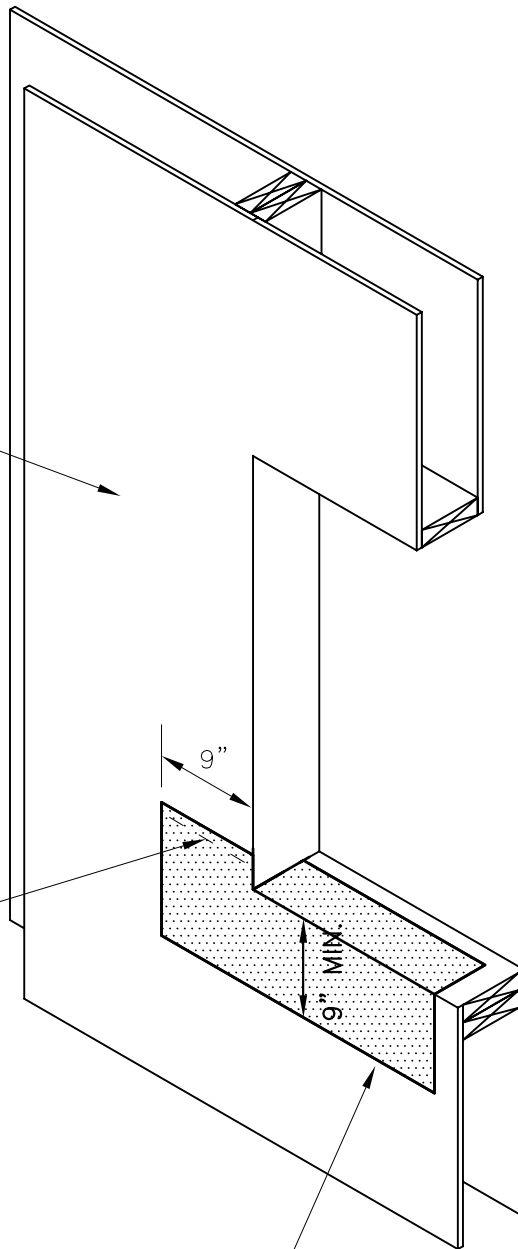


TYPICAL EXTERIOR
WALL ASSEMBLY

ATTACH W/ STAPLES OR
AS REQUIRED BY VARIOUS
BUILDING TYPES

INSTALL VAPROFLASHING @ SILL
DO NOT ATTACH LOWER EDGE @ THIS STEP



VaproShield LLC
915 26th Ave N.W., #C5
Gig Harbor, WA 98335
Toll Free (1)-866-731-7663
Fax: 253-858-3297
Email: info@VaproShield.com
www.VaproShield.com

ARCH. REFERENCE:

REVISION:

PROJECT:

TITLE: NON FLANGED WINDOW FLASHING STEP 1

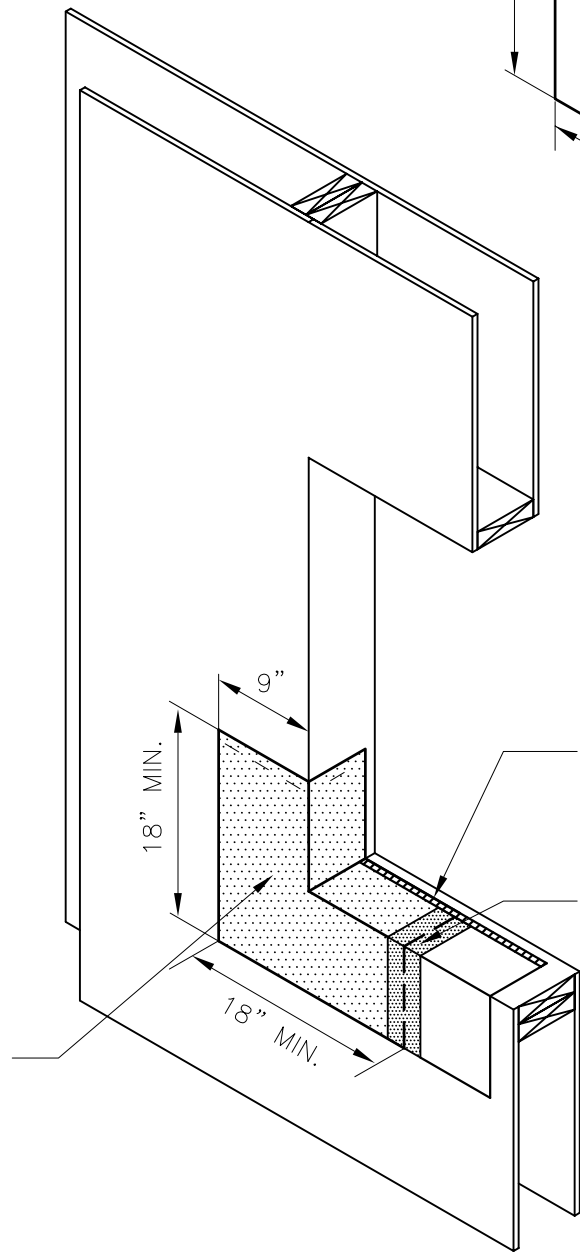
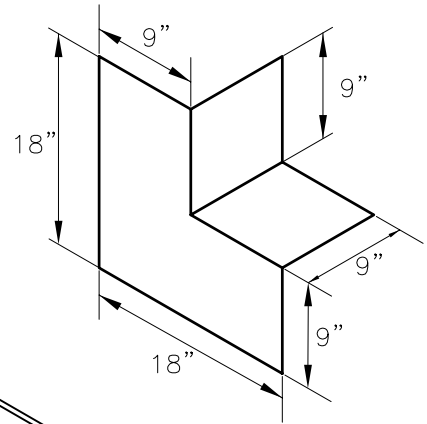
DATE: 07.06.07

Vaproshield-0007

DRAWN BY: JLR

CHECKED BY:

SCALE: N.T.S.



INSTALL VAPROSHIELD 3-D PRE-FORMED CORNERS @ SILL ATTACH W/STAPLES OR AS REQUIRED FOR VARIOUS BUILDING TYPES

DOUBLE-SIDED VAPROTAPE OR NON-SKINNING BUTYL SEALANT (ATTACH TO VAPOR RETARDER IF PRESENT)

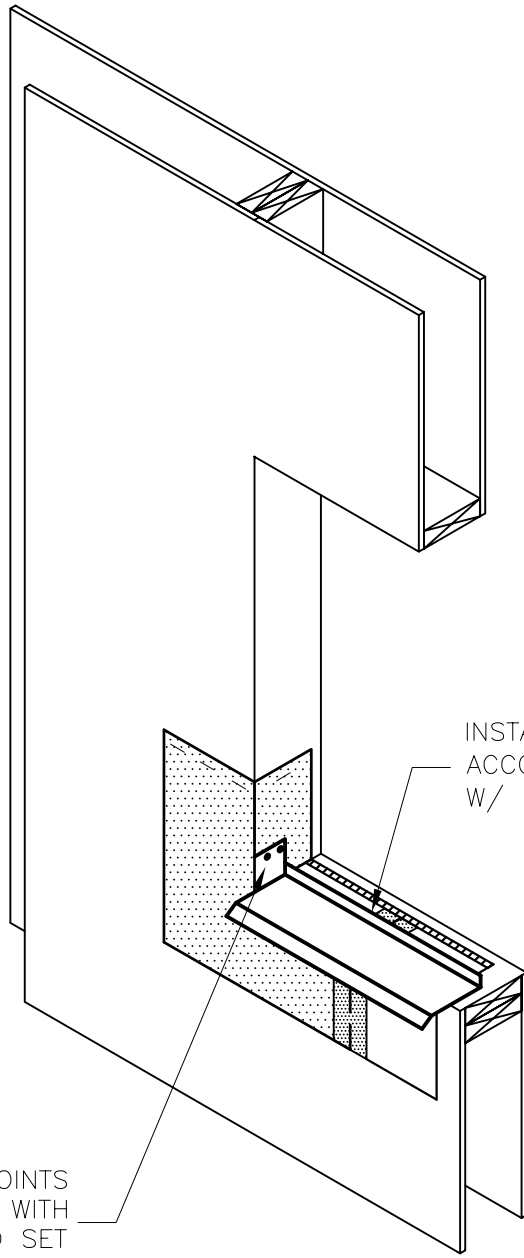
SINGLE-SIDED VAPROTAPE SEAL CORNERS TO SILL FLASHING

VaproShield LLC
 915 26th Ave N.W., #C5
 Gig Harbor, WA 98335
 Toll Free (1)-866-731-7663
 Fax: 253-858-3297
 Email: info@VaproShield.com
 www.VaproShield.com

ARCH. REFERENCE:	REVISION:
PROJECT:	
TITLE: NON FLANGED WINDOW FLASHING STEP 2	
DATE: 07.06.07	Vaproshield-0007
SCALE: N.T.S.	

DRAWN BY: BTR

CHECKED BY:



INSTALL WINDOW PAN
 ACCORDING TO MFR'S INSTALLATIONS
 W/ END DAMS EXTENDING VERTICALLY 3"

SEAL ALL PAN JOINTS
 AND NAILHOLES WITH
 SAME SEALANT TO SET
 WINDOW IN PAN

VAPRO SHIELD
 Breathable Membrane Systems for Roofs & Walls

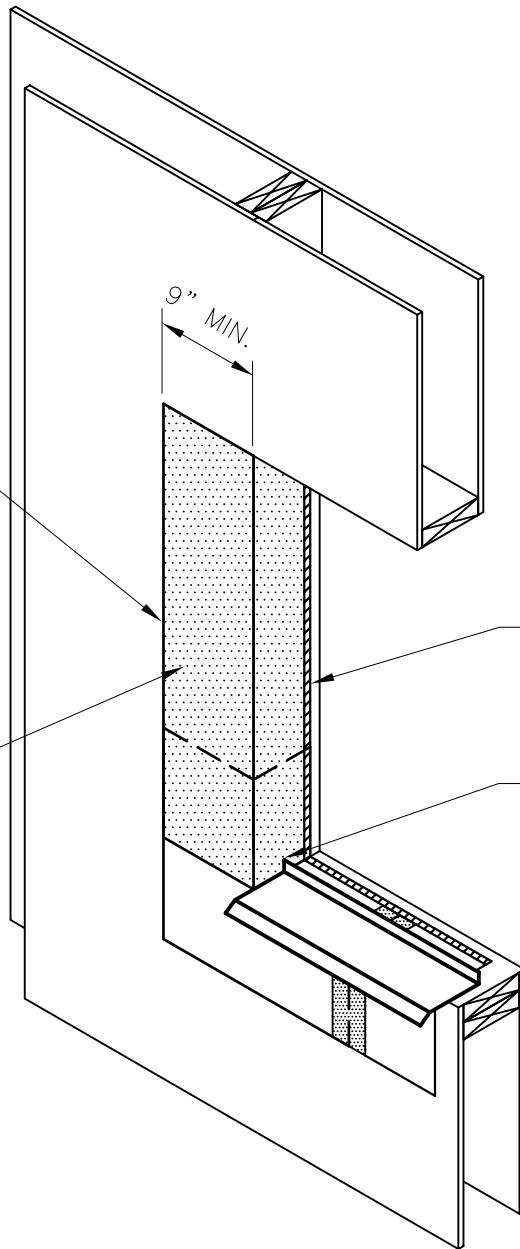
VaproShield LLC
 915 26th Ave N.W., #C5
 Gig Harbor, WA 98335
 Toll Free (1)-866-731-7663
 Fax: 253-858-3297
 Email: info@VaproShield.com
 www.VaproShield.com

ARCH. REFERENCE:	REVISION:
PROJECT:	
TITLE: NON FLANGED WINDOW FLASHING STEP 3	
DATE: 07.06.07	Vaproshield-0007
SCALE: N.T.S.	

DRAWN BY: BTR CHECKED BY:

INSTALL VAPROFLASHING @JAMBS CUT TO
EXTEND O/ END DAMS OF SILL PAN

ATTACH W/ STAPLES OR AS
REQUIRED FOR VARIOUS
BUILDING TYPES



DOUBLE-SIDED
VAPROTAPE OR
SEALANT (ATTACH TO
VAPOR RETARDER IF
PRESENT)

LAP JAMB FLASHING
OVER END DAMS



VaproShield LLC
915 26th Ave N.W., #C5
Gig Harbor, WA 98335
Toll Free (1)-866-731-7663
Fax: 253-858-3297
Email: info@VaproShield.com
www.VaproShield.com

ARCH. REFERENCE:

REVISION:

PROJECT:

TITLE: NON FLANGED WINDOW FLASHING STEP 4

DATE: 07.06.07

Vaproshield-0007

DRAWN BY: BTR

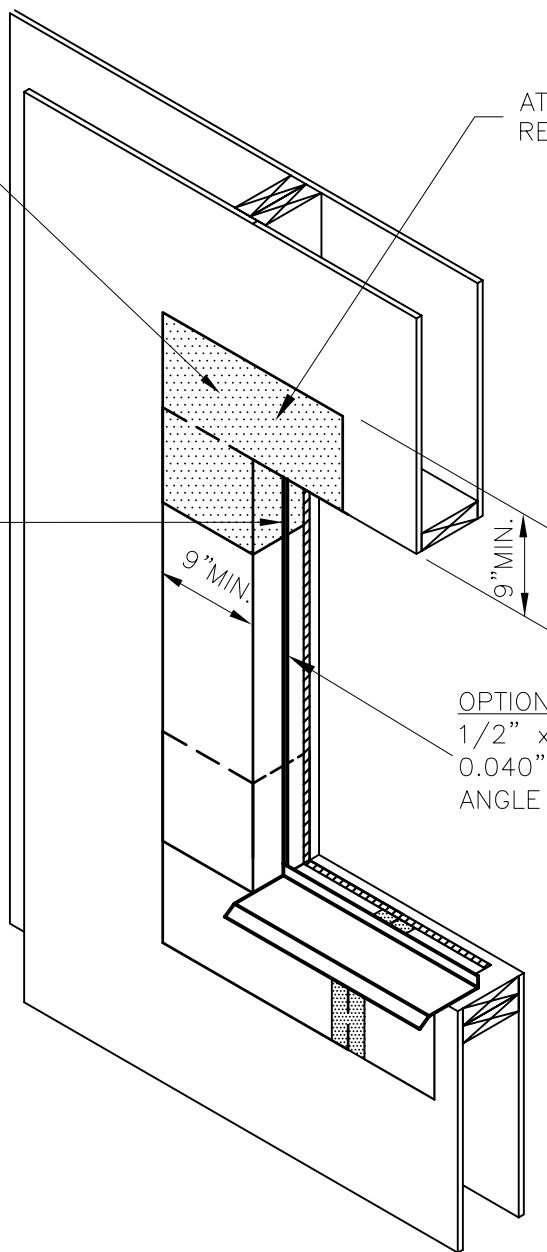
CHECKED BY:

SCALE: N.T.S.

INSTALL VAPROSHIELD
PRE-FORMED
CORNERS AT HEAD

ATTACH W/ STAPLES OR AS
REQUIRED BY VARIOUS BUILDING TYPES

CUT INSIDE EDGE OF
PRE-FORMED
CORNERS TO
ALIGN W/JAMB AND
HEAD FLASHINGS



OPTION:
1/2" x 1/2",
0.040" ALUMINUM
ANGLE (BY OTHERS)



VaproShield LLC
915 26th Ave N.W., #C5
Gig Harbor, WA 98335
Toll Free (1)-866-731-7663
Fax: 253-858-3297
Email: info@VaproShield.com
www.VaproShield.com

ARCH. REFERENCE:

REVISION:

PROJECT:

TITLE: NON FLANGED WINDOW FLASHING STEP 5

DATE: 07.06.07

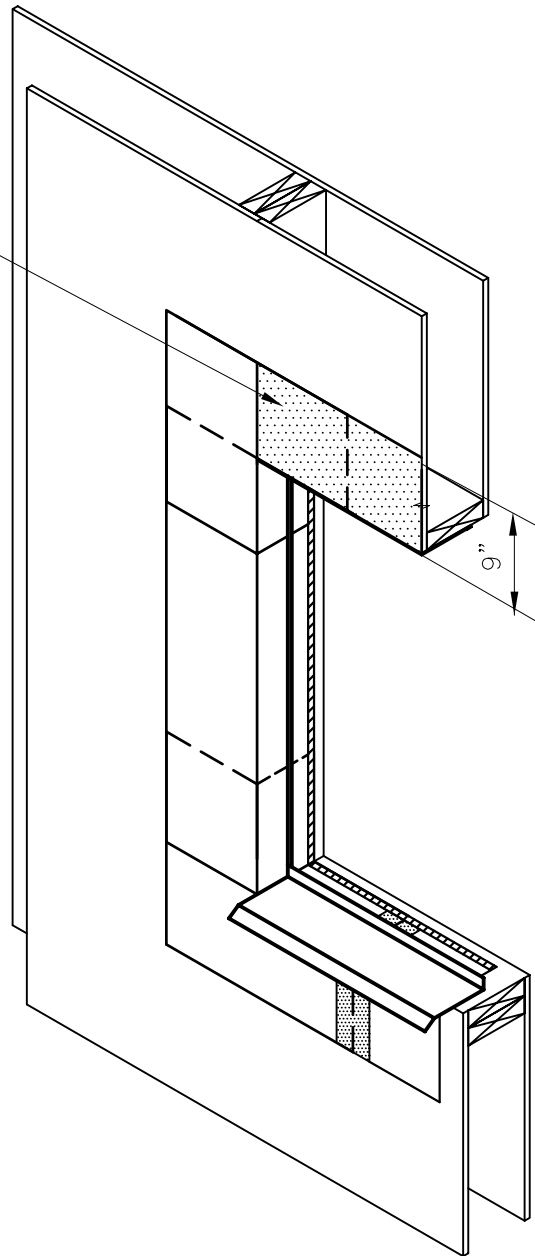
Vaproshield-0007

DRAWN BY: BTR

CHECKED BY:

SCALE: N.T.S.

INSTALL VAPRO FLASHING @ HEAD
 FOLD INTO R.O. & ATTACH TO
 INTERIOR FRAMING



NOTE:
 WHERE ATTACHMENT TO STEEL
 STUDS, USE VAPRO SPRAY
 ADHESIVE TO BOND



VaproShield LLC
 915 26th Ave N.W., #C5
 Gig Harbor, WA 98335
 Toll Free (1)-866-731-7663
 Fax: 253-858-3297
 Email: info@VaproShield.com
 www.VaproShield.com

ARCH. REFERENCE:

REVISION:

PROJECT:

TITLE: NON FLANGED WINDOW FLASHING STEP 6

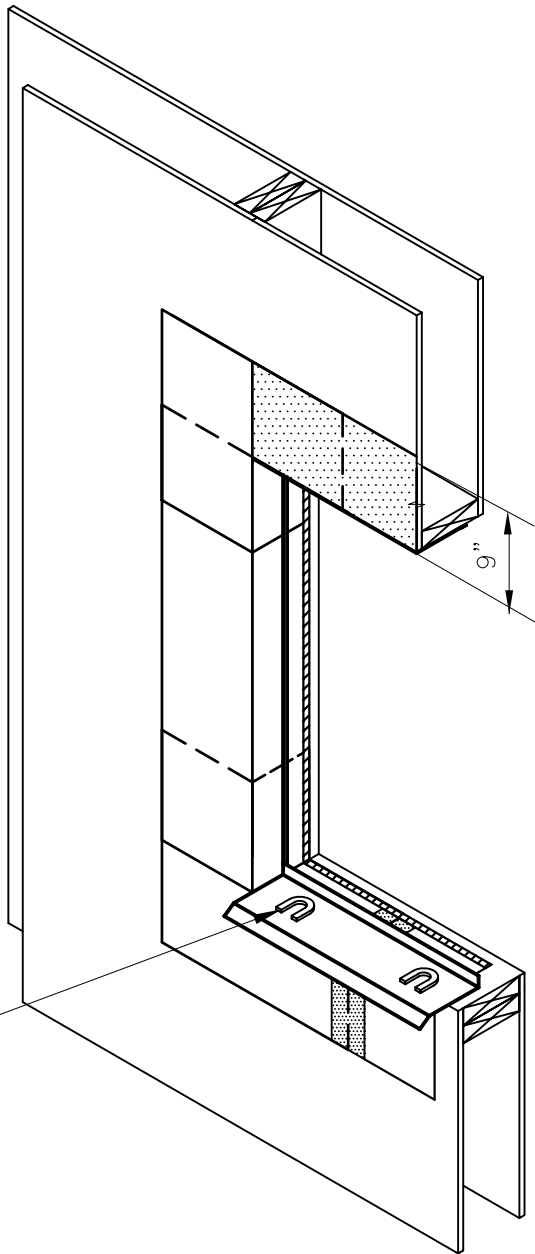
DATE: 07.06.07

Vaproshield-0007

DRAWN BY: BTR

CHECKED BY:

SCALE: N.T.S.



READY FOR WINDOW
INSTALLATION

SHIM WINDOWS PER
MANUFACTURER'S
RECOMMENDATIONS

NOTE:
SOME MANUFACTURER'S
REQUIRE CONTINUOUS
SUPPORT, NOT SHIMS



VaproShield LLC
915 26th Ave N.W., #C5
Gig Harbor, WA 98335
Toll Free (1)-866-731-7663
Fax: 253-858-3297
Email: info@VaproShield.com
www.VaproShield.com

ARCH. REFERENCE:	REVISION:
PROJECT:	
TITLE: NON FLANGED WINDOW FLASHING STEP 7	
DATE: 07.06.07	Vaproshield-0007
SCALE: N.T.S.	

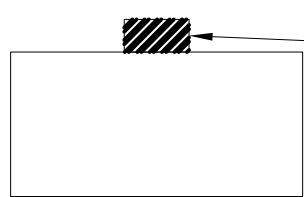
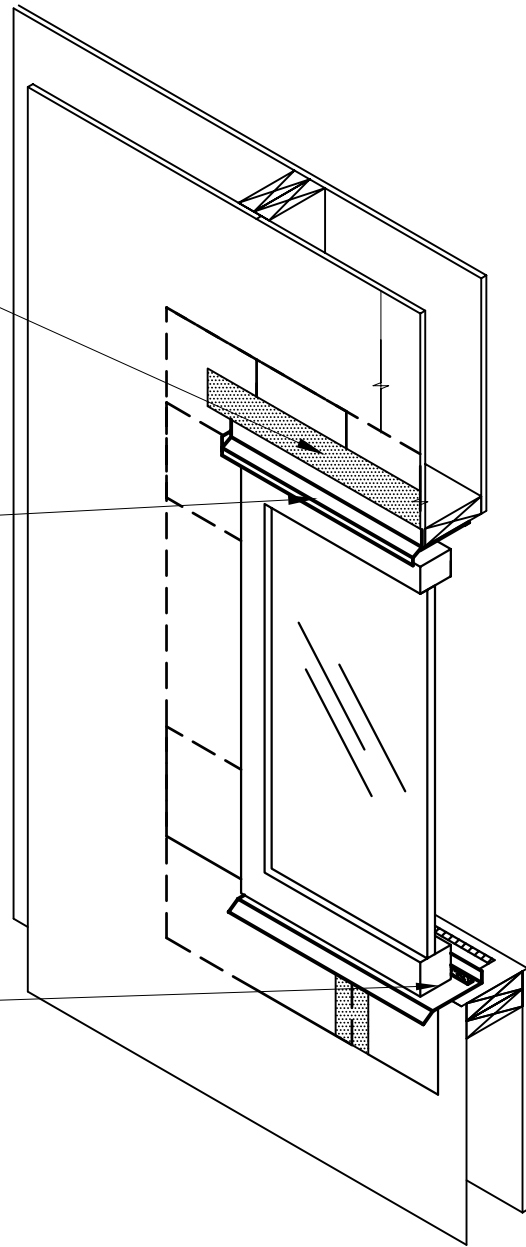
DRAWN BY: BTR

CHECKED BY:

INSTALL SINGLE-SIDED VAPRO TAPE O/
LEG OF METAL HEAD FLASHING
SECURE HEAD FLASHING @ TOP OF 4"
VERTICAL FLANGE 8" O.C

INSTALL METAL HEAD FLASHING
(BY OTHERS)

VAPROSHIELD
EXPANDING FOAM TAPE
AROUND WINDOW FRAME



SET VAPROSHIELD EXPANDING FOAM
TAPE @ COUNTER OF FRAME @ HEADS
& JAMB SET AT BACK OF FRAME @ SILLS



VaproShield LLC
915 26th Ave N.W., #C5
Gig Harbor, WA 98335
Toll Free (1)-866-731-7663
Fax: 253-858-3297
Email: info@VaproShield.com
www.VaproShield.com

ARCH. REFERENCE:

REVISION:

PROJECT:

TITLE: NON FLANGED WINDOW FLASHING STEP 8

DATE: 07.06.07

Vaproshield-0007

DRAWN BY: BTR

CHECKED BY:

SCALE: N.T.S.

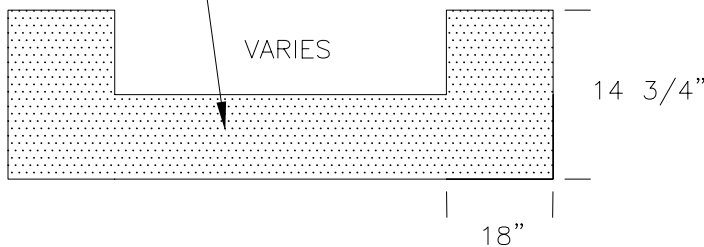
WRAPSHIELD/WALLSHIELD
TO LAP O/ HEAD FLASHING

INSTALLATION OF
WALLSHIELD/WRAPSHIELD
LAP 6" AT HORIZONTAL
AND 12" AT VERTICAL

EXTEND WALLSHIELD/WRAPSHIELD
TO EDGE OF R.O. @ JAMBS
SEAL USING VAPROTAPE DOUBLE-SIDED
ROLL TO ACTIVATE ADHESIVE

4' 11"

"U BIB" (SEE BELOW) FORMED FROM
WRAPSHIELD/WALLSHIELD SLIP UNDER
VAPROFLASHING & ATTACH



VaproShield LLC
915 26th Ave N.W., #C5
Gig Harbor, WA 98335
Toll Free (1)-866-731-7663
Fax: 253-858-3297
Email: info@VaproShield.com
www.VaproShield.com

ARCH. REFERENCE:

REVISION:

PROJECT:

TITLE: NON FLANGED WINDOW FLASHING STEP 9

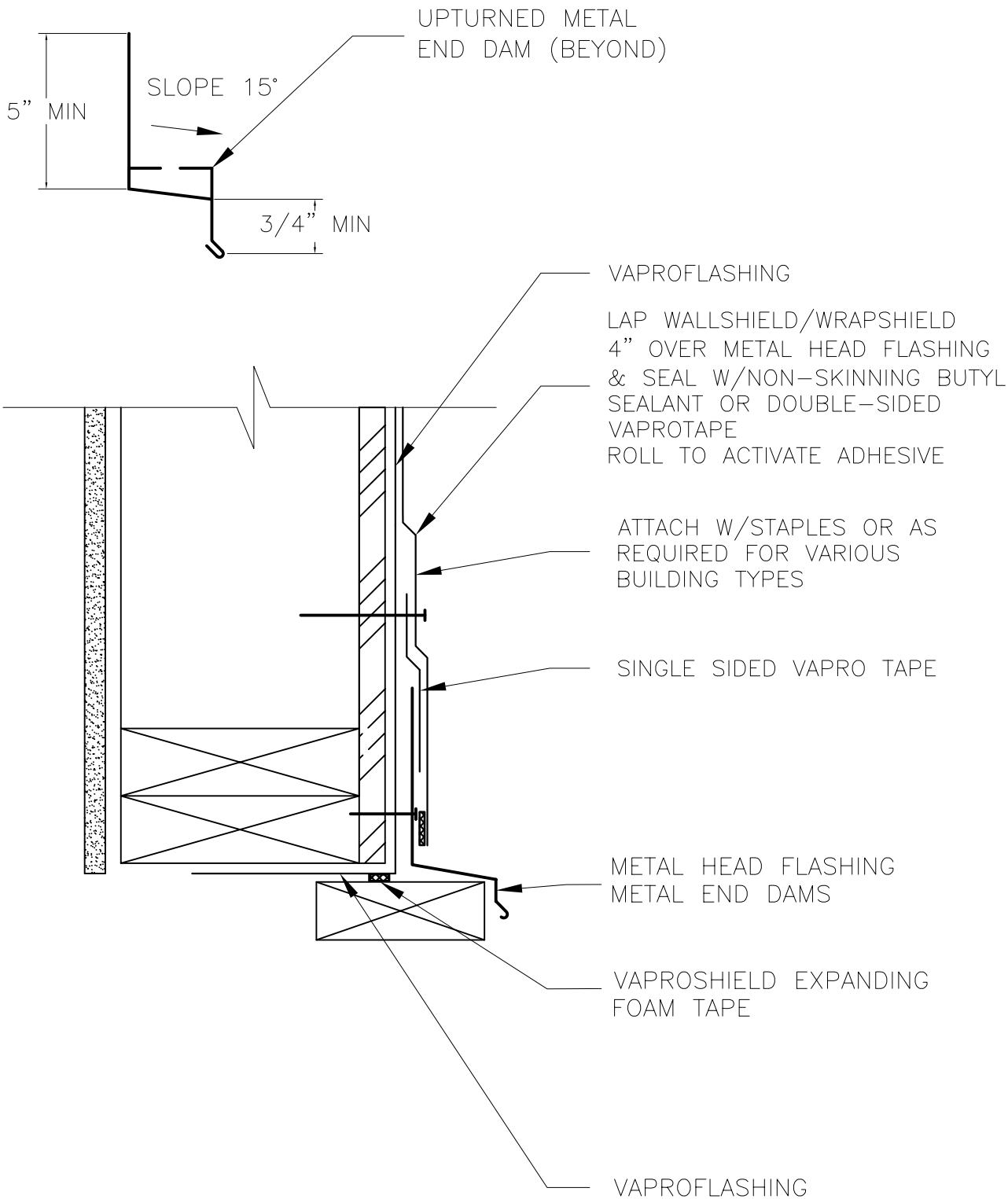
DATE: 07.06.07

Vaproshield-0007

DRAWN BY: BTR

CHECKED BY:

SCALE: N.T.S.



NOTE:
CONTRACTOR TO VERIFY ALL DIMENSIONS
IN THE FIELD. MEMBRANE AND FLASHING
COMPONENTS ARE NOT SHOWN TO SCALE
FOR CLARITY.

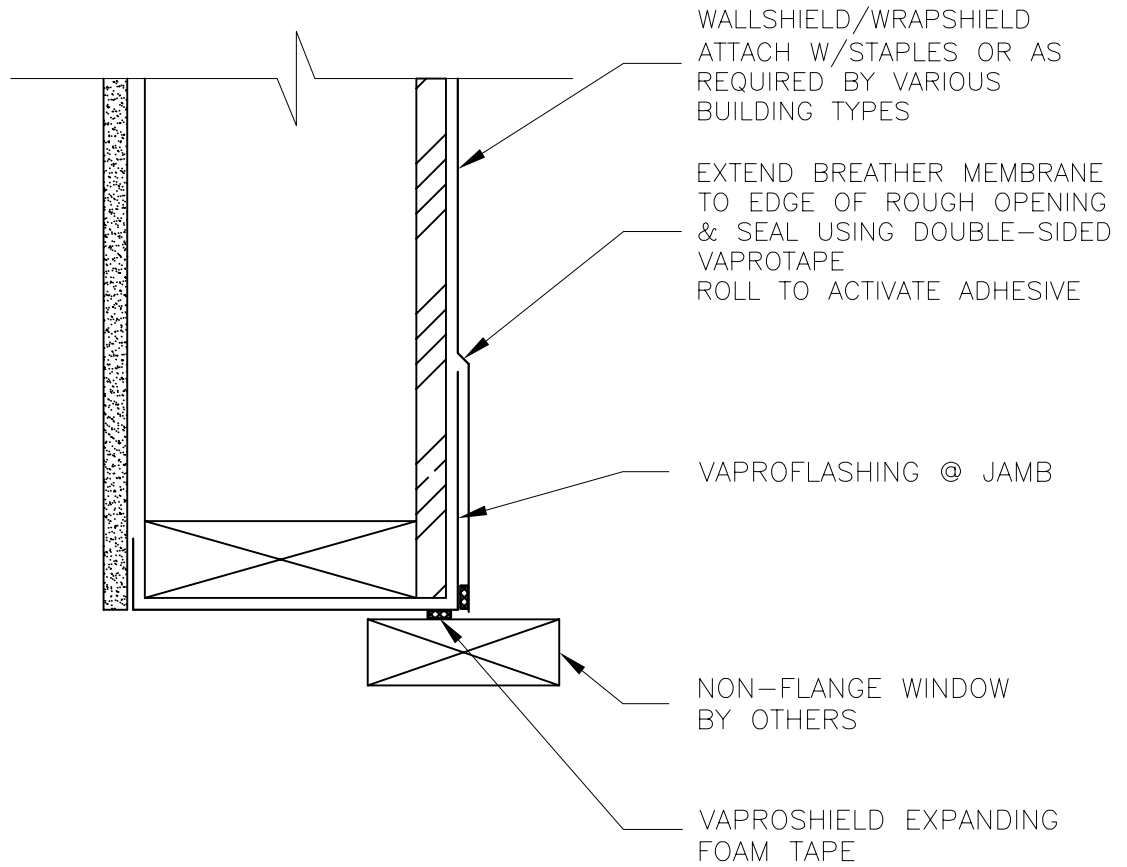


VaproShield LLC
915 26th Ave N.W., #C5
Gig Harbor, WA 98335
Toll Free (1)-866-731-7663
Fax: 253-858-3297
Email: info@VaproShield.com
www.VaproShield.com

ARCH. REFERENCE:	REVISION:
PROJECT:	
TITLE: NON FLANGED WINDOW FLASHING HEAD	
DATE: 07.06.07	Vaproshield-0007
SCALE: N.T.S.	

DRAWN BY: BTR

CHECKED BY:



NOTE:
CONTRACTOR TO VERIFY ALL DIMENSIONS
IN THE FIELD. MEMBRANE AND FLASHING
COMPONENTS ARE NOT SHOWN TO SCALE
FOR CLARITY.

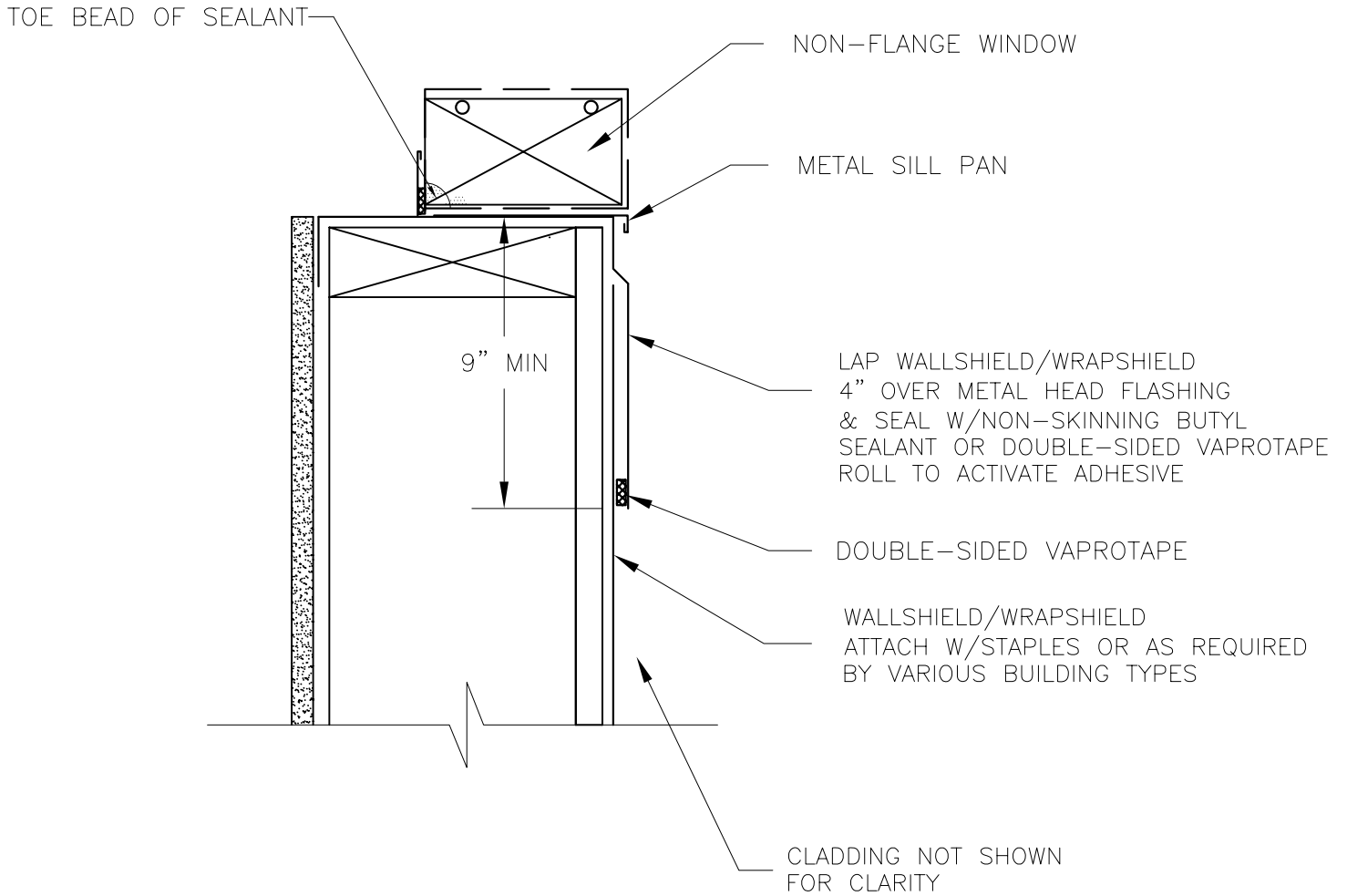


VaproShield LLC
915 26th Ave N.W., #C5
Gig Harbor, WA 98335
Toll Free (1)-866-731-7663
Fax: 253-858-3297
Email: info@VaproShield.com
www.VaproShield.com

ARCH. REFERENCE:	REVISION:
PROJECT:	
TITLE: NON FLANGED WINDOW FLASHING JAMB	
DATE: 07.06.07	Vaproshield-0007
SCALE: N.T.S.	

DRAWN BY: BTR

CHECKED BY:



NOTE:
CONTRACTOR TO VERIFY ALL DIMENSIONS IN THE FIELD.
MEMBRANE & FLASHING COMPONENTS ARE
NOT SHOWN TO SCALE FOR CLARITY.

VaproShield LLC
915 26th Ave N.W. #C5
Gig Harbor, WA 98335
Toll Free (1)-866-731-7663
Fax: 253-858-3297
Email: info@VaproShield.com
www.VaproShield.com

ARCH. REFERENCE: REVISION:

PROJECT:

TITLE: NON FLANGED WINDOW FLASHING SILL

DATE: 07.06.07

Vaproshield-0007

DRAWN BY: BTR

CHECKED BY:

SCALE: N.T.S.