

CONVECTAIR

DIVA

7647



Installation & Operating Instructions

421AA2219

ATTENTION : Documents to be kept by end-user

INTRODUCTION :

Dear owner,

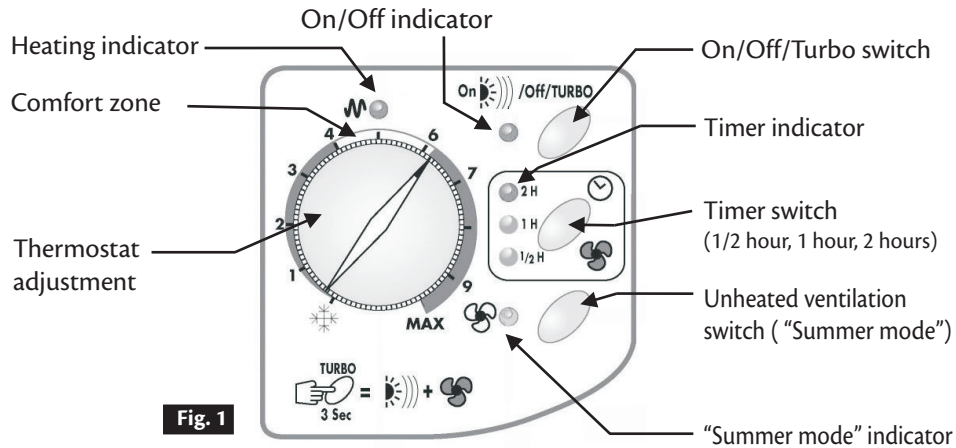
- Congratulations on the purchase of this premium electric heater. CONVECTAIR develops and produces the highest quality heating product in the electrical industry.

- To obtain the best results and the ultimate in performance and comfort, please take a moment to read the installation, operation and maintenance instructions detailed in this manual.

TABLE OF CONTENTS

QUICK START GUIDE.....	Page 3
1- SPECIFICATIONS.....	Page 4
2- RECOMMENDED SET-UP.....	Page 4
3- INSTALLATION AND MOUNTING.....	Page 5
4- ELECTRICAL CONNECTION.....	Page 6
5- OPERATING INSTRUCTIONS.....	Page 7
6- OVERHEAT CONTROL.....	Page 9
7- MAINTENANCE.....	Page 9
8- TROUBLESHOOTING.....	Page 10
9- IDENTIFICATION OF YOUR HEATER.....	Page 10
10- WARRANTY INFORMATION.....	Page 10

- QUICK START GUIDE -



Electrical requirements : 240 V, 208

Install a standard 2" x 3" wall junction box, 30 cm (12 in.) from the floor, centered on the heater.

Installing and connecting the heater

See pages 5 and 6.

To turn the heater ON or OFF

Press the On/Off/Turbo switch briefly.

To set the temperature

Set the temperature dial at 6 (see page 7). Wait for the temperature to stabilize. Adjust up or down for the required comfort level.

Fast heat

With the heater ON, press the timer switch :
Once = ½ hr
Twice = 1 hr
3 times = 2 hr
4 times = stop

Troubleshooting : see page 10

To contact Convectair : see page 10

1 SPECIFICATIONS

- Your new Diva combines both radiant and fan-forced heat. It is designed to heat the room as well as to dry towels, a perfect combination for the bathroom.

- The Diva is composed of a silent radiant vertical panel of 700 watts, controlled by an electronic thermostat, to heat the room and dry towels. The fast-acting boost provides 1500 watts of combined radiant and fan-forced heat, with a timer control. A bottom opening directs the warm air on the towels as well as towards the center of the room.

- Your Diva can be used with the optional CONVECTAIR Programmer Module (pilot wire) allowing scheduled temperature set-backs in periods of prolonged absence providing the same comfort and more savings.

Model #	Volts, cycles	Capacity	Height	Width	Width with bars	Depth	Depth with bars	Weight
7647-C15	240V, 60 Hz	1500 W (700W radiant, 800W fan forced)	102 cm (40")	44,5 cm (17 ^{1/2} ")	50 cm (19 ^{3/4} ")	12 cm (4 ^{3/4} ")	21,5 cm (8 ^{1/2} ")	12,5 Kg (27,5 lbs)

Nota : when connected at 208V, the capacity is 1125W (525W radiant, 600W fan-forced)

2 RECOMMENDED SET-UP

- Your heater must be installed in accordance with national and local codes and CONVECTAIR recommends an installation by a qualified electrician.

- Your heater must be installed so that the control panel is out of reach from anyone in the bath-tub or in the shower. Do not install over a bath-tub or spa.

- Do not install the heater behind a door, furniture or other obstacles, or in front of an air-exhaust vent. Keep combustible materials such as curtains, away from the heater.

- Your heater is equipped with a heating element that may reach high temperatures. Do not install or operate in the presence of gasoline, paint solvents or other flammable products.

- In order to avoid overheating, use the towel bars when drying clothes or linen.

- Maintain the minimum required clearances (height from floor, distances from side walls or furniture, drapes, etc).

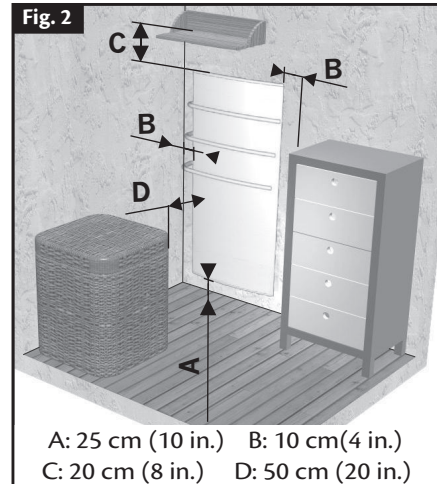
3 INSTALLATION AND MOUNTING

- Identify where you want to install the heater, providing sufficient clearance around the unit (Fig. 2).

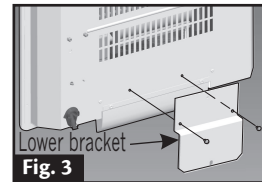
- Locate and unscrew the lower bracket.

- Turn the bracket upside down and screw it back on the heater making sure it is placed in the right position (Fig. 3).

- Unscrew the top bracket from the back of the heater. Fasten it to the wall in the position shown in the diagram below (mark A), making sure that it is level (Fig. 4).



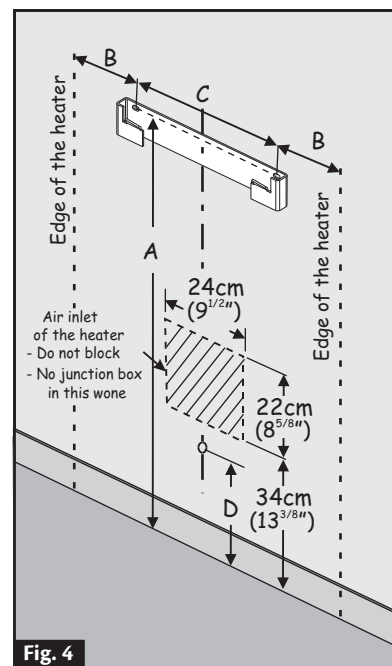
CAUTION: Use screws and anchors adapted to the wall type and weight of the heater (12.5 kg / 27.5 lbs, not including towels).



- Hook the heater on the top bracket.
Mark the location of the bottom bracket hole.
- Fasten the lower bracket to the wall with a proper screw and anchor.

- The heater should be installed no lower than 25 cm (10 in.) from the floor. Leave a minimum clearance of 10 cm (4 in.) on each side of the heater, 20 cm (8 in.) above the unit and 50 cm (20 in.) in front for a proper air circulation (Fig.2).

Model	A	B	C	D
DIVA	108,5 cm (42 ^{3/4} in)	11,2 cm (4 ^{3/8} in)	21,7 cm (8 ^{3/8} in)	21,2 cm (8 ^{1/2} in)



4 ELECTRICAL CONNECTION

- **CONVECTAIR recommends that your heater be installed by a qualified electrician and in accordance with national and local codes.**

- To prevent short circuits and electrical shocks turn the power off at the main panel before attempting the installation or making any repairs.

- If the power cable is damaged it must be replaced by the manufacturer, an approved service depot or a technician with similar qualifications to avoid any danger.



CAUTION:

This heater must be connected to a 240 Volt or 208 Volt (60 cycles) circuit.

- Disconnect the power supply before making wiring connections to prevent electrical shock and equipment damage. If you are using a Programmer system, make sure to cut the power off ALL electrical heating circuits in the home (for more information, see the CONVECTAIR model 7392 installation notice).

- A standard rectangular 2x3 in. junction box must be installed in the wall, prior to electrical hookup. The box must be of appropriate size to receive the necessary electrical connections and the 2 3/4" x 4 1/2" (7 cm x 11,5 cm) cover that is supplied with the heater.

RESPECT WIRE COLOR CODING

WITH the use of a pilot wire (PW)

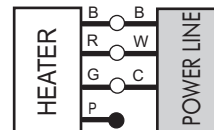
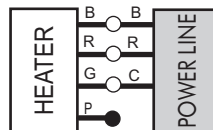
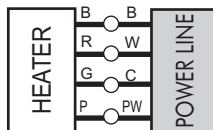
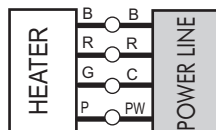
WITHOUT the use of a pilot wire (PW)

CANADA

U.S.A

CANADA

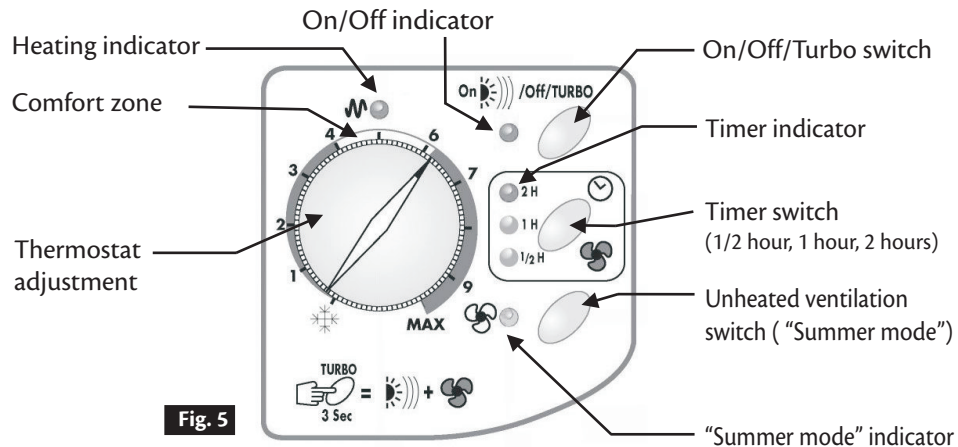
U.S.A



P = PURPLE R = RED B = BLACK G = GREEN C = COPPER W = WHITE PW : PILOTE WIRE

5 OPERATING INSTRUCTIONS

The electronic controls have been designed to achieve maximum savings.



To turn the heater On:

- Press briefly on the On/Off/Turbo switch. The On/Off indicator light turns on.
- To shut the heater off, press the On/Off/Turbo switch briefly. The On/Off indicator light goes off.

Using the thermostat to set the comfort temperature:

The Diva provides base heat for the bathroom using its front panel as a radiant heating element, controlled by an electronic thermostat, for superior comfort and maximum efficiency.

- Turn the thermostat dial to 6 (Fig.5). The heat indicator light will come on if needed to show that the front panel heating element has been turned on.
- Close the doors and windows to the room where the heater is located. Let the temperature stabilize for an hour.
- If the temperature is not quite right, adjust the thermostat dial up or down by half a mark.
- Let the temperature stabilize for another hour before checking again and repeat if necessary (with a quarter adjustment this time).
- Once the thermostat is set at the desired comfort setting, do not touch the thermostat dial. To turn the heater off, use the On/Off/Turbo switch. To briefly raise the temperature, use the timer.

Using the timer

When activating the timer, the Diva provides 1500 watts of power combining radiant and fan-forced heating, for short periods of time (during a bath or shower).

- With the heater on, press the timer switch. Continue pressing on the timer switch to set the desired time or to turn the timer off in the following sequence: ½ hr, 1 hr, 2hr Off. Each timer indicator light shows the selected time.
- When the timer is engaged, the heater provides maximum heat continuously for the selected duration (½ hr, 1 hr, 2 hr).
- When the timer cycle is finished, the heater resumes normal heating operation.

Unheated ventilation ("Summer mode")

This setting will dry towels without heat.

- With the heater on, press the unheated ventilation switch. The corresponding indicator light turns on.
- This function turns the ventilation on for ½ hr and the ½ hr timer indicator comes on.
- Press the timer switch to select 1hr, 2hr or to stop the unheated ventilation.
- When the cycle is finished, the unheated ventilation indicator light remains on.
- To start the unheated ventilation again, press the timer switch for the selected duration.
- To turn the unheated ventilation off, press the On/Off/Turbo switch briefly (shutting the heater off).

TURBO Mode

During colder periods, this special setting allows your Diva to act as a 1500 watt heater with thermostat control, using both radiant and fan-forced heat.

- With the heater on, press and hold the On/Off/Turbo switch for 3 seconds or until the On/Off indicator light starts blinking.
- Set the thermostat as desired. It is normal to hear the fan go on and off.
- To revert to standard operating mode, press and hold the On/Off/Turbo switch for 3 seconds or until the indicator light stops blinking.
- To shut the heater off, press briefly on the On/Off switch, the On/Off indicator light will shut off.

NOTE

In case of a power failure, your Diva keeps the last settings in memory, including the time remaining on the timer cycle and resumes operation where it left off.

6 OVERHEAT CONTROL

- This heater is equipped with separate overheat controls for the radiant panel and for the fan-forced heat. In case of a malfunction of the unit (blocked air output or intake, for example) the heater will stop heating automatically. After correcting the malfunction the heater can be reset. To restart the heater :

- For the radiant heater, check that the top outlet grill (top back of the heater) is free of obstruction, then push the reset button on the upper back panel of the heater.

- For the fan-forced heat : Turn the heater Off. Check that the lower back inlet and the lower front outlet are free of obstruction. Wait 5 minutes and turn the heater back on. If the light is still off, and no heat is generated, call your electrician or the nearest **CONVECTAIR** repair center.

7 MAINTENANCE

- To keep your CONVECTAIR unit clean, regular maintenance is suggested. To remove dust, use a soft cloth. To remove a stain, use a damp cloth. For a better performance and maximum efficiency, it is suggested that dust and lint be regularly removed from the protective grill situated at the back of your DIVA .

NEVER USE ABRASIVE OR ACETONE-BASED PRODUCTS TO CLEAN YOUR HEATER AS THIS MAY DETERIORATE THE EPOXY FINISH.

Operation and maintenance tips

Your **CONVECTAIR** heater will become hot when in use. Caution is advised when young children are present.

Do not insert small objects in the heater : this could cause an electrical short circuit, fire or damage to the inner components.

Any use or modifications not approved by CONVECTAIR may cause electrical short circuits, fire or injuries to the users.

In certain cases, it is possible for yellowing of the surface to occur over time. This is not due to a manufacturing defect. This is caused by surrounding air, which may contain smoke or dust, being heated and circulated through the heater.

Prevention : it is suggested that surfaces be frequently cleaned especially with units installed in locations where cigarette smoke is present or in the kitchen. Never use this heater during construction work or other activities that generate a lot of dust.

Note : The first time your CONVECTAIR heater is used, a light smoke could be released. This is normal and should disappear after about 2 to 3 minutes.

ANY REPAIR ON YOUR CONVECTAIR HEATER SHOULD ONLY BE DONE BY A QUALIFIED TECHNICIAN, AND ONLY AFTER THE HEATER HAS BEEN DISCONNECTED.

8 TROUBLE SHOOTING

Before calling your electrician, please go through these simple checks:

- 1- Make sure the breaker in the distribution panel is in the "ON" position.
- 2- Check that the On/Off switch is on.
- 3- Turn the timer on.
- 4- If no heat is emitted, check the two overheat protections : first remove any obstruction from the inlet and outlet grilles ; then reset the overheat protections (see sect.6, p.9).
- 5- If the light is still off, and no heat is generated, call your electrician or the nearest CONVECTAIR repair center.

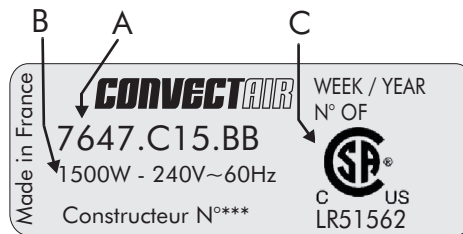
9 IDENTIFICATION OF YOUR HEATER

IMPORTANT : Product information appears on the heater's identification label.

The identification label is located on the lower right hand side of the heater (same side as the thermostat).

It includes :

- The complete model number and its production reference number (A) that must be included in any warranty claim.
- Capacity (B).
- Standard certification (C)



10 WARRANTY INFORMATION

2 years against all defects/ 5 years on heating element.

All CONVECTAIR heaters are subject to a double warranty: 2 years on all parts and manufacturing defects and 5 years on the heating element itself.

Warranty is applicable from date of purchase by the customer and under certain specific conditions. All details furnished with each heater. Please keep your invoices (purchase and/or installation).

REPAIR CENTER:

Contact **CONVECTAIR** to find your closest repair center.

– Toll-free: **1-800-463-6478**

CONVECTAIR

30, Carré Sicard, Sainte Thérèse, Qc, CANADA J7E 3X6

Tel. : (450) 433-5701 Fax : (450) 434-3166

E-mail : support@convectair.com

www.convectair.com