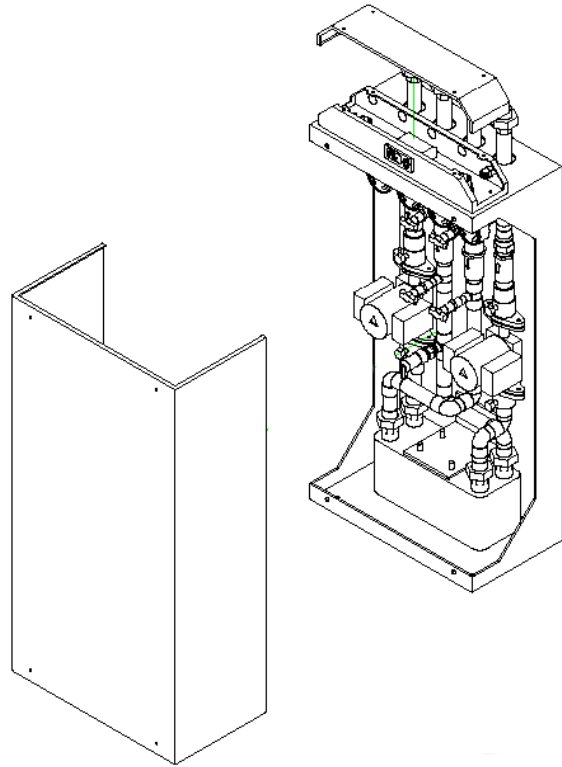
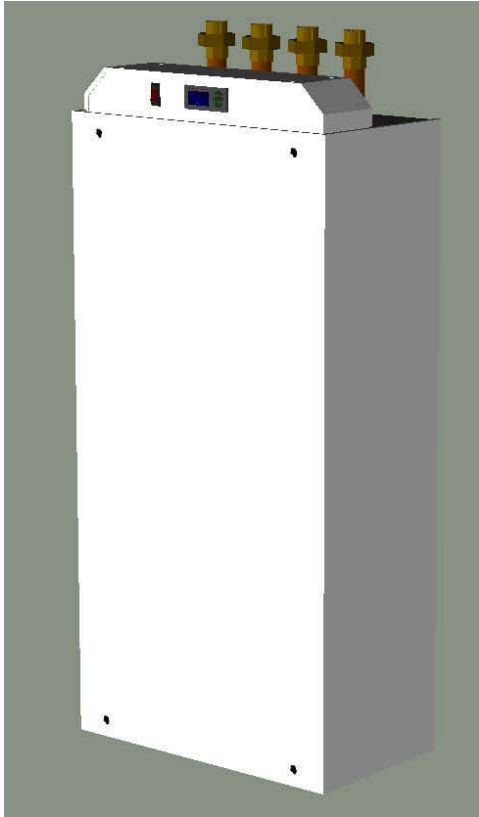




new!

Solar Pump Center



SPS-2-AC

Closed Loop, Dual Pump, AC powered Commercial Prepackaged Solar Thermal System

- Suitable for most large residential or small commercial applications
- Small size 18" x 10" x 40"
- Simplifies installation
- Wall or Floor mounted
- Designed for integration with conventional hot water tanks
- High efficiency brazed plate heat exchanger
- Durable enclosure – Clean appearance
- Flowmeters, T&P gauges on supply and return lines
- Made in the USA



Solar Pump Station

SPC-2-AC Specifications:

Solar loop pressure	15-40 psi
Potable Circulator	Bronze Taco 005BF2
Solar Loop Circulator	Cast iron Taco 008F6 - solar loop Optional higher head models available for use with larger collector arrays
Heat Exchanger	SS brazed plate 5" x 12", 20 plate std. Optional plates for use with larger collector arrays
Fittings	Copper, 1", throughout
Temperature/pressure indicators (4)	0-75psi (0-500kPa) / 70-320°F (20-120°C)
Flow Indicators (4)	1-20 GPM Polysulfone
Differential Temperature Controller	Integrated Multifunction DT controller
Recommended Solar loop fluid	Non-toxic Propylene Glycol food grade inhibitors only.

Controller details:

- Large, Clear, Blue LED display
- Collector and two storage temperature displays
- (1) Auxiliary output for heat dump output for pumps or valves
- (1) Auxiliary output for heat assist with programmable timer.
- High-high temperature shutdown
- (3) 10K Thermistor sensors included
- Manual ON, OFF, or AUTO setting
- Onboard warnings for errors
- Celsius or Fahrenheit temperature display
- RS485 Output for monitoring with a PC, and over the Internet

Available from:

Installation details:

- Detailed installation manual included
- 2 copper tubes to collector with air vent and expansion tank
- 2 copper tubes to storage
- Collector and Storage sensor wiring



A QUALIFIED PROFESSIONAL SHOULD REVIEW FINAL SYSTEM DESIGN FOR COMPONENT SIZING AND ARRANGEMENT. PURIST ENERGY, LLC. SHALL NOT BE LIABLE FOR SYSTEM NON-PERFORMANCE OR DAMAGE.



www.puristenergy.com