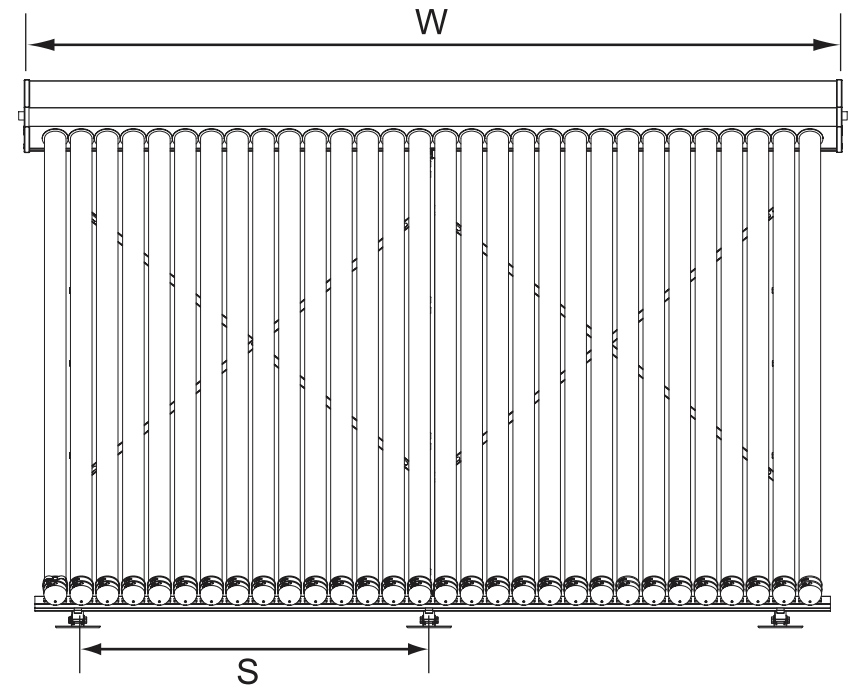
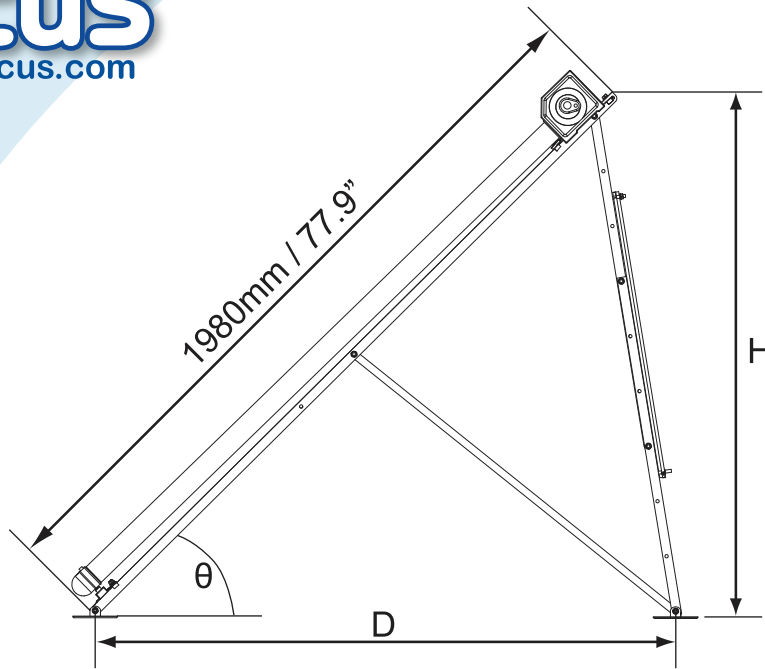


Apricus Solar Collector Gross Dimensions



Angle	Type	D	H
52°	High Angle (Round Foot)	1406mm / 55.4"	1539mm / 60.6"
45°		1565mm / 61.6"	1389mm / 54.7"
38°		1688mm / 66.5"	1231mm / 48.5"
33°		1792mm / 70.6"	1074mm / 42.3"
46°	High Angle (Roof Track)	1900mm / 74.8"	1436mm / 56.5"
42°		1900mm / 74.8"	1315mm / 51.8"
37°		1900mm / 74.8"	1186mm / 46.7"
33°		1900mm / 74.8"	1051mm / 41.4"
27°	Mid Angle (Round Feet) *	Variable	~ 911mm / 35.9"
27°	Mid Angle (Roof Track)	1900mm / 74.8"	911mm / 35.9"
13°	Low Angle (Round Feet) *	Variable	~ 447mm / 17.6"
13°	Low Angle (Roof Track)	1900mm / 74.8"	447mm / 17.6"

Size	S	W
10 tubes*	490mm / 19.29"	796mm / 31.3"
20 tubes*	1190mm / 46.85"	1496mm / 58.8"
22 tubes	665mm / 26.18"	1636mm / 64.4"
30 tubes	945mm / 37.2"	2196mm / 86.4"

* 10 & 20 tube collectors only have 2 sets of legs

Notes:

1. The frame should be aligned with the roof rafters where possible.
2. The front tracks can be adjusted left and right slightly to match roof structure
3. When possible position the front tracks behind tubes so they are hidden
4. Always refer the the installation manual regarding mounting guidelines, in particular regarding mounting strength and wind loading issues.
5. Seek engineer approval for non standard installations, or if at all in doubt of mounting strength or safety.

* Low and Mid angle frame kits do not have a diagonal brace. When using round feet the rear legs can be freely positioned, and therefore the angle and height are slightly variable.