

## Operating Manual For SmartRooms Installation Detector

### INTRODUCTION

S.I.D. was designed to help the installer detect problems as they occur in order to avoid a more costly return service call. S.I.D. does the following:

*NO CONTINUITY* – The heating cable has been cut and must be repaired.

*LEAKAGE* – S.I.D. will buzz if there is electrical leakage between the steel braid and heating cable. This will not cause the GFCI (ground fault circuit interrupter) to trip but indicates a potential problem and should be fixed. All Therma-Ray Floor Warming Systems are tested for this prior to leaving the plant.

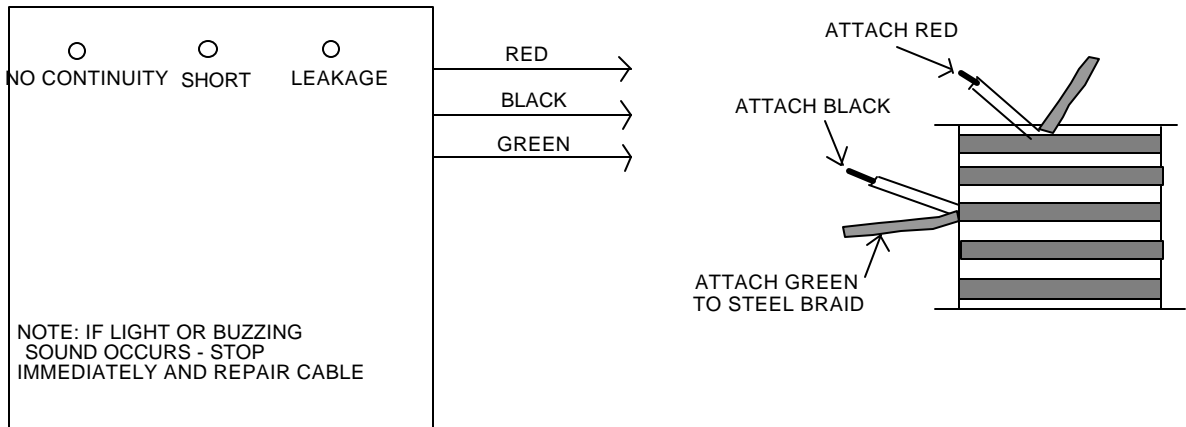
*SHORT* – S.I.D. will buzz when there is an electrical short measuring higher than 5mA (milli-amp). The short occurs between the steel braid and the heating cable. The system has been damaged and must be repaired.

Repair kits are readily available from the distributor where you purchased your Therma-Ray Floor Warming System.

NOTE: You may wish to use an ohm meter to verify S.I.D.'s test.

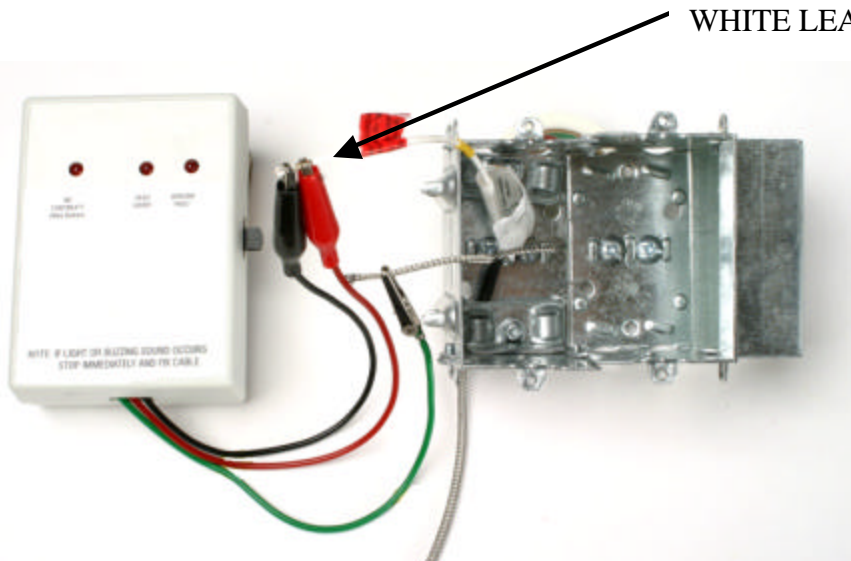
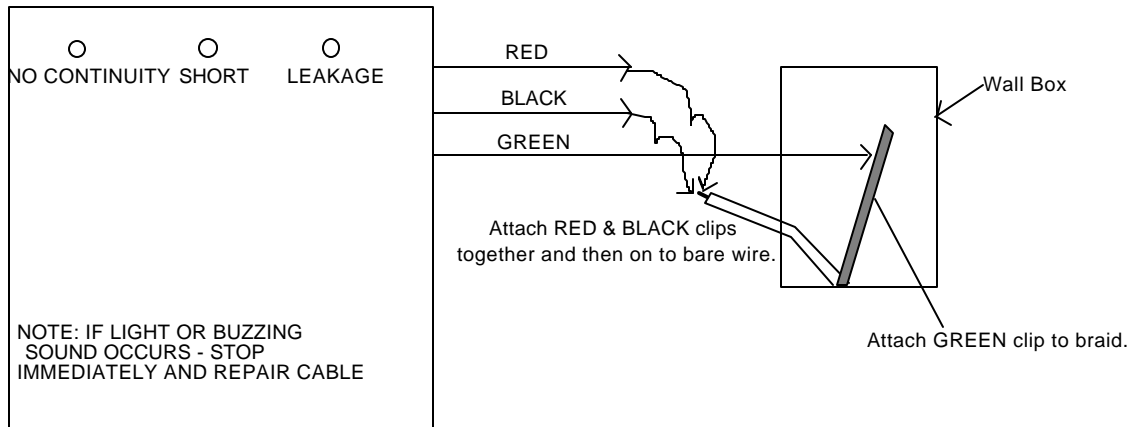


1. Take the red clip and connect it to the bare wire of the white lead wire. Do the same connecting the black clip to the black lead wire. Connect the green clip to the steel braid (see diagram). Turn S.I.D. on. If there are no lights or buzzing then the cable is good. Turn S.I.D. off and disconnect so that you can install the floor warming system.



2. Start installing the cable system by placing one end of the wire leads from the wire spool into the thermostat wall box.

3. Connect S.I.D. as shown.

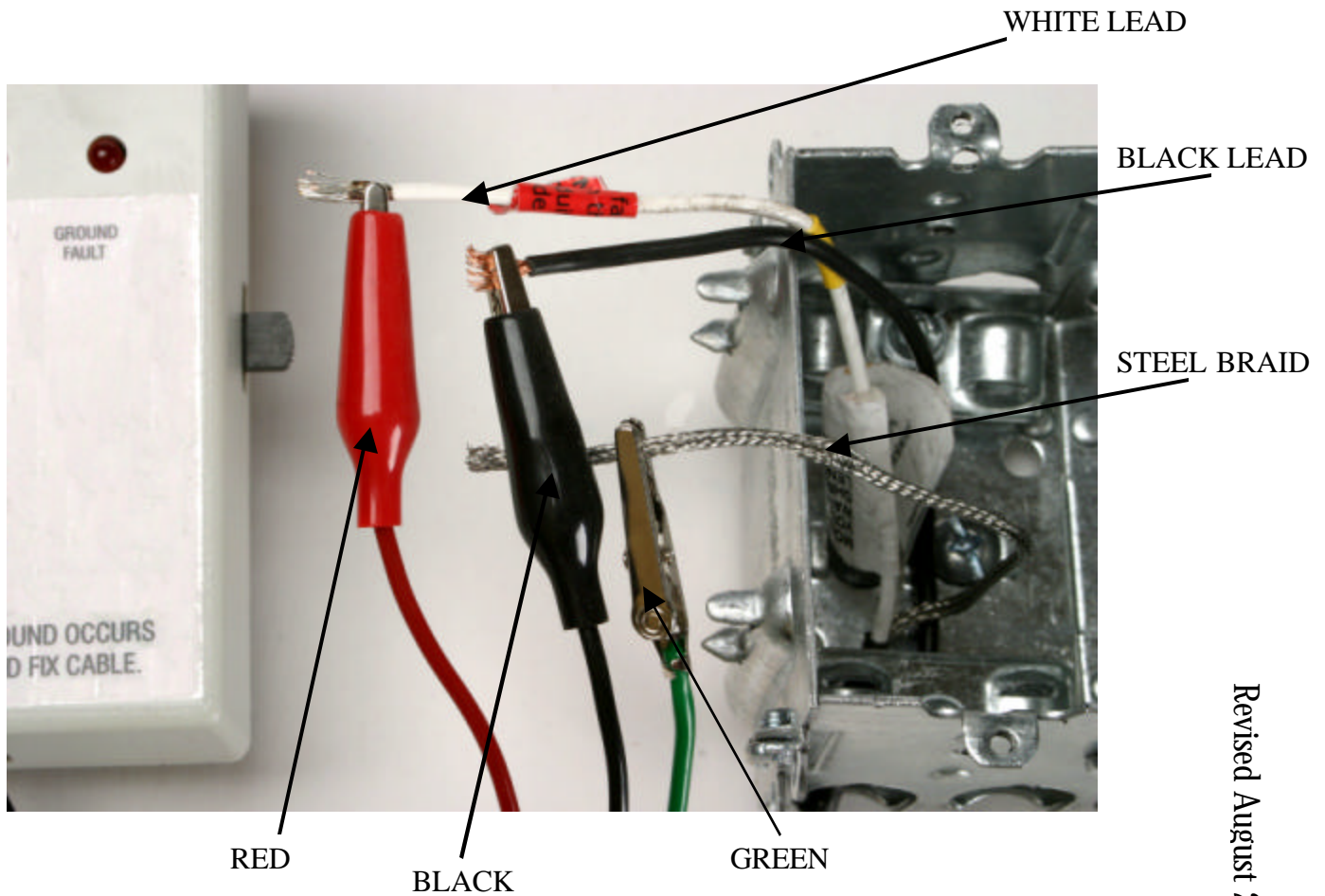


4. Turn on S.I.D.

5. Continue to install the floor warming system as per instructions.  
Note: If the cable system is damaged during installation there will be a buzzing sound and a light will be on.

6. After the floor warming cable installation is completed turn S.I.D. off. Disconnect the RED or BLACK clip from the wire. Attach the RED or BLACK clip to the other wire. Now there should be a clip on each non-heating lead wire and a clip on the steel braid (see picture below). Turn S.I.D. on. If there is no buzzing and all lights are off then the system is ok.  
NOTE: If buzzing occurs and any lights are on, the wire is damaged.

7. Finish installing your floor. S.I.D. should be kept on during all stages of the floor installation right up to and including when grout is applied. Using S.I.D. this way protects you, the installer, from having to effect a repair. To conserve batteries turn S.I.D. off at night or when you are not working on the floor. Note: If S.I.D. has been used correctly, it should significantly reduce service calls.



Revised August 2005

**Therma-Ray Inc.**

670 Wilsey Road, Fredericton, NB  
Canada E3B 7K4  
Tel: 506-457-4600 Fax: 506-457-4699  
E-mail: sales@Therमारay.com  
www.therमारay.com

Printed in Canada

**SmartRooms**  
Thermal Comfort System  
By Therma-Ray