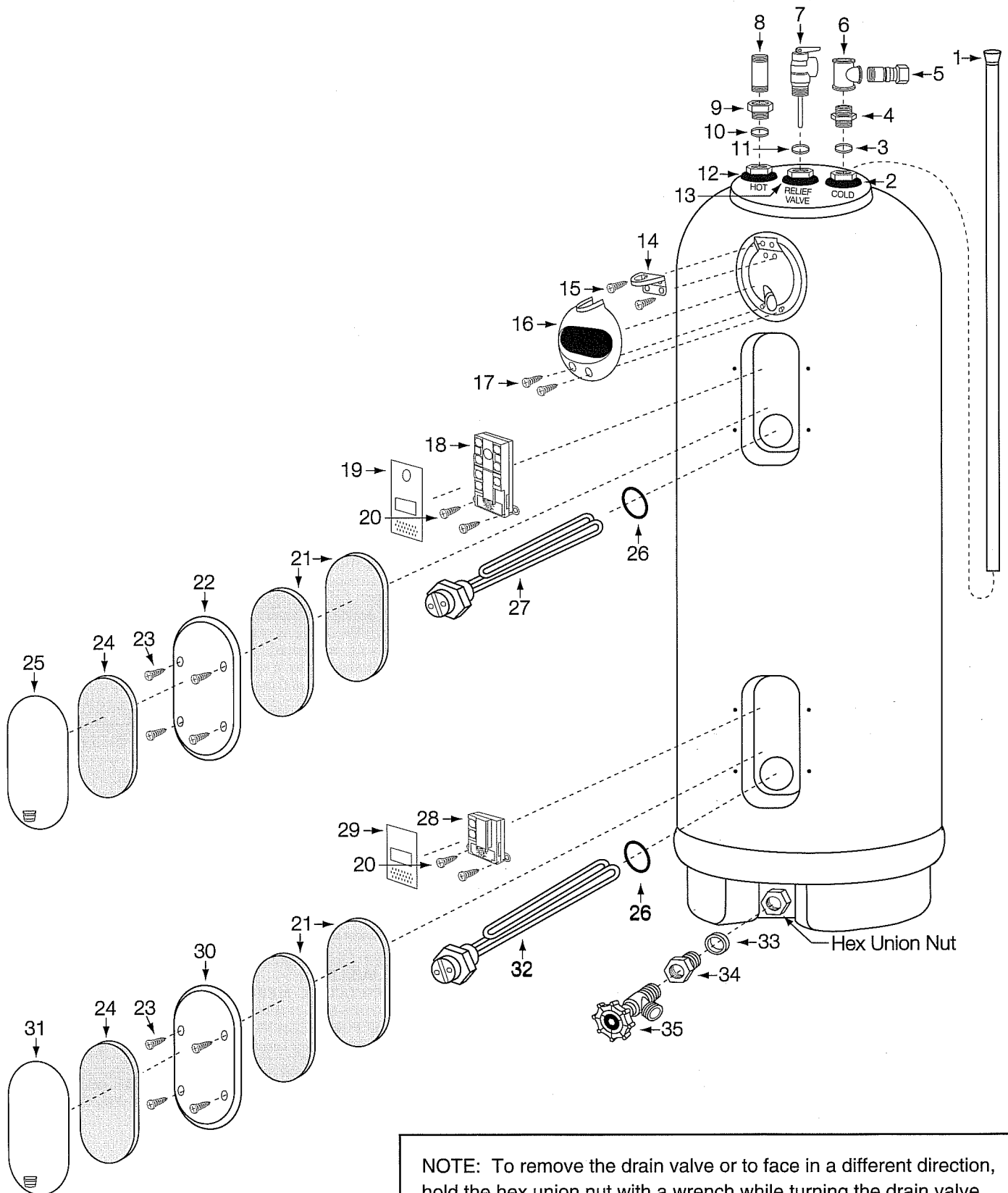


Repair Parts



NOTE: To remove the drain valve or to face in a different direction, hold the hex union nut with a wrench while turning the drain valve. **Do not turn the drain valve without holding the hex union nut or you will damage the water heater beyond repair.**

Repair Parts

Key No.	Part Number	Description
1	SP230023	Dip Tube MR30 Gallon Models
	SP230025	Dip Tube MR40 and MR50 Gallon Models
	SP230019	Dip Tube MSR50 Gallon Models
	SP230024	Dip Tube MR75 Gallon Models
	SP230018	Dip Tube MR85 and MR105 Gallon Models
2	SP240480	Grommet, Cold Side
3	SP230110	Seal Ring, Cold Side
4	SP330200	Reducer, 1 Inch x 3/4 Inch Cold Side
5	SP221790	Vacuum Valve Assembly
6	SP330210	"Tee", 3/4 Inch x 3/4 Inch x 3/4 Inch
7	SP330040	Temperature and Pressure Relief Valve
8	SP330230	Nipple, 3/4 Inch x 3/4 Inch Long
9	SP330030	Reducer Bushing, 1 Inch x 3/4 Inch - Hot Side MR105 Gallon Model Only
10	SP230090	Seal Ring, Hot Side MR30, MR40, MR50, MSR50 Short, MR75 and MR85 Gallon Models
	SP230110	Seal Ring, Hot Side MR105 Gallon Model Only
11	SP230090	Seal Ring, Temperature and Pressure Relief Valve - All Models
12	SP240490	Grommet, Hot Side MR30, MR40, MR50, MSR50 Short, MR75 and MR85 Gallon Models
	SP240480	Grommet, Hot Side MR105 Gallon Model Only
13	SP240490	Grommet, Temperature and Pressure Relief Valve - All Models
14	SP213070	Knock-Out Bracket
15	SP330020	Screw, #8 x 3/4 Inch Long (2 Required)
16	SP410910	Junction Box Cover
17	SP330180	Screw #8 -16 x 5/8 Inch Long (2 Required)
18	SP310230	Upper Temperature Control Thermostat
19	SP310040	Upper Protector
20	SP310240	Screw, #10 - 16 x 5/8 Inch Long (8 Required)
21	SP213350	Thermostat Insulation (4 Required)
22	SP411800	Upper Access Panel
23	SP330020	Screw, #10 - 16 x 5/8 Inch Long (8 Required)
24	SP213340	Access Panel Cover Insulation (2 Required)
25	SP240420	Upper Access Panel Cover
26	SP310060	Element Gasket (2 Required)
27	SP610150	Upper Heating Element (Includes Key No. 26) 3000 Watt
	SP610130	Upper Heating Element (Includes Key No. 26) 3800 Watt
	SP610160	Upper Heating Element (Includes Key No. 26) 4500 Watt
28	SP310020	Lower Temperature Control Thermostat
29	SP310010	Lower Protector
30	SP411810	Lower Access Panel
31	SP213090	Lower Access Panel Cover
32	SP610690	Lower Heating Element (Includes Key No. 26) 3000 Watt MR30 and MR40 Gallon Models
	SP212750	Lower Heating Element (Includes Key No. 26) 3000 Watt MR50, MSR50 Short, MR75, MR85 and MR105 Gallon Models
	SP212700	Lower Heating Element (Includes Key No. 26) 3800 Watt MR30 and MR40 Gallon Models
	SP212760	Lower Heating Element (Includes Key No. 26) 3800 Watt MR50 Gallon Models
	SP212770	Lower Heating Element (Includes Key No. 26) 3800 Watt MSR50 Short, MR75, MR85 and MR105 Gallon Models
	SP610680	Lower Heating Element (Includes Key No. 26) 4500 Watt MR30 and MR40 Gallon Models
	SP212780	Lower Heating Element (Includes Key No. 26) 4500 Watt MR50 Gallon Models
	SP212790	Lower Heating Element (Includes Key No. 26) 4500 Watt MSR50 Short, MR75, MR85 and MR105 Gallon Models
33	SP230090	Seal, Ring - Drain Valve MR30, MR40, MR50, MSR50 Short, MR75 and MR85 Gallon Models
	SP230110	Seal, Ring - Drain Valve MR105 Gallon Models
34	SP330030	Reducer Bushing, 1 Inch x 3/4 Inch - Drain Valve MR105 Gallon Model Only
35	SP330090	Drain Valve
▲	SP213370	Use and Care Manual
▲	SP213360	Use and Care Manual Supplement
▲	SP610070	Element Wrench

▲ Not Illustrated